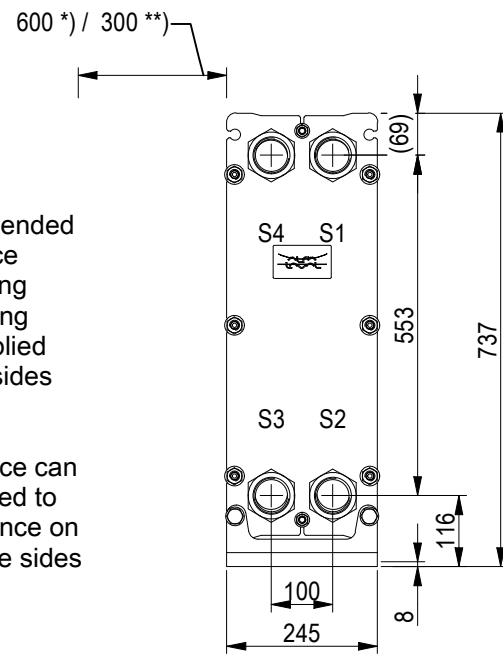


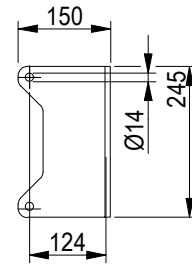
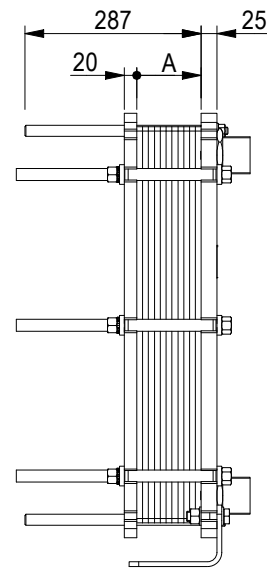
### FRAME PLATE



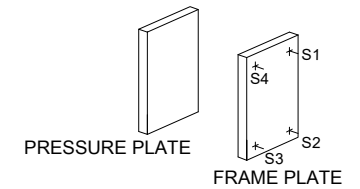
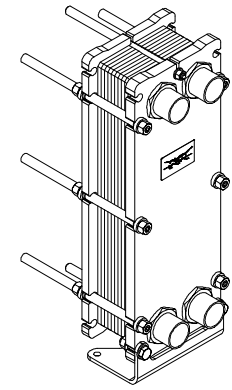
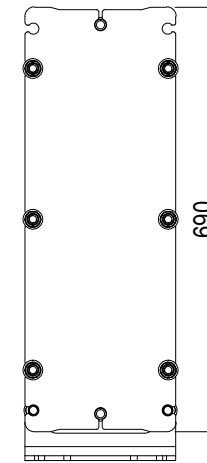
\*) Recommended free space for opening and closing to be applied on both sides

\*\*) Free space can be reduced to this distance on one of the sides

Space between pressure plate and supporting column should be kept free from fixed installations!

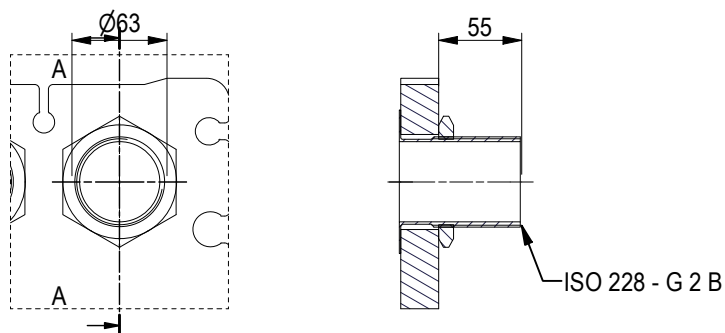


### PRESSURE PLATE (MOVABLE)



ISO 228 - G 2 B, ALLOY 316, 80 mm  
S1, S2, S3, S4

A-A:



All dimensions in millimeters (mm)

NO. OF UNITS

1

#### APPROX. OUTER DIMENSIONS

LENGTH 300 mm  
WIDTH 260 mm  
HEIGHT 700 mm

#### APPROX. WEIGHTS

NET WEIGHT, EMPTY 81.7 kg  
WEIGHT FULL OF WATER 87.5 kg  
PLATE MATERIAL ALLOY 316  
PLATE THICKNESS 0.5 mm  
GASKET NBRP Clip-on

CHANNEL ARRANGEMENT 1\*19 L  
/ 1\*20 L

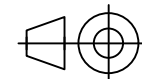


www.alfalaval.com

DRAWING  
GASKETED PLATE HEAT EXCHANGER

# T5-BFG

PED Article 4.3



8240124399

Do not use this drawing for foundation bolting or piping layout

DATE 2/28/22  
REVISION 0