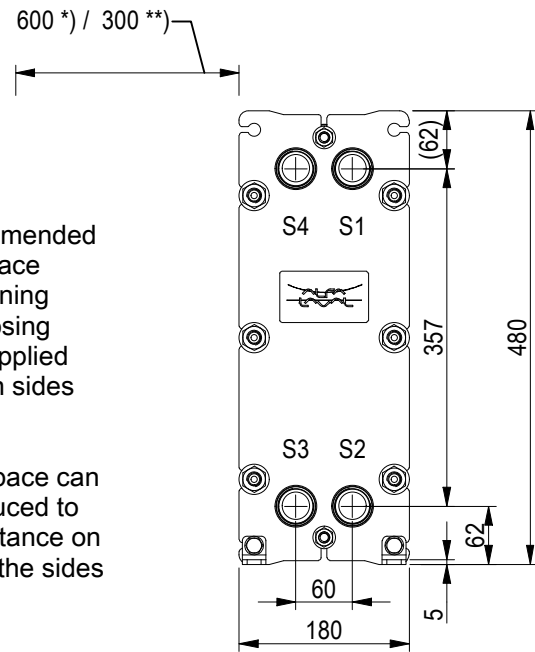


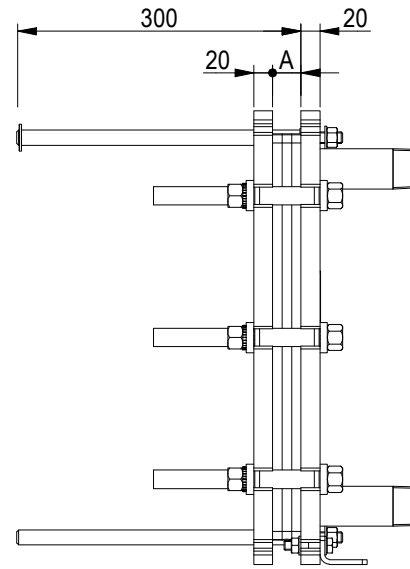
### FRAME PLATE



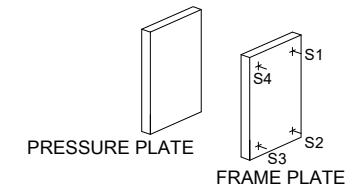
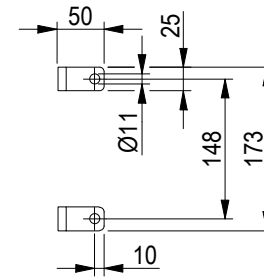
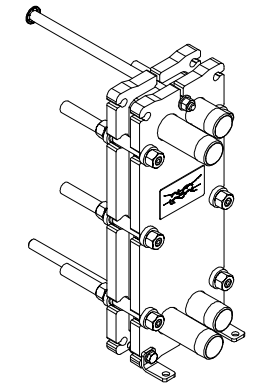
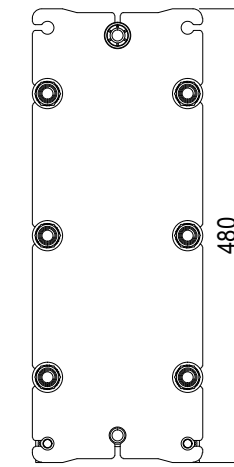
\*) Recommended free space for opening and closing to be applied on both sides

\*\*) Free space can be reduced to this distance on one of the sides

Space between pressure plate and supporting column should be kept free from fixed installations!



### PRESSURE PLATE (MOVABLE)

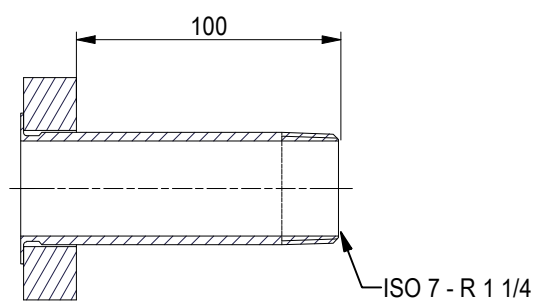
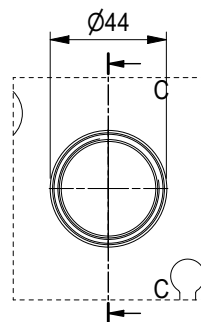
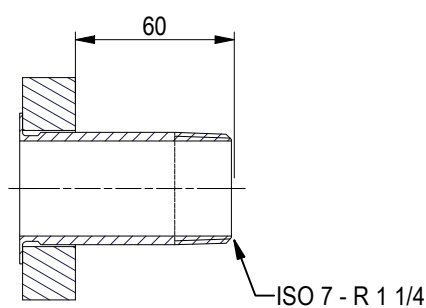
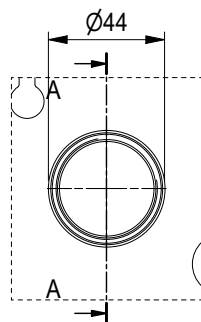


ISO 7 - R 1 1/4, ALLOY 316, 80 mm  
S1, S2

A-A:

ISO 7 - R 1 1/4, ALLOY 316, 120 mm  
S3, S4

C-C:



All dimensions in millimeters (mm)

NO. OF UNITS

1

#### APPROX. OUTER DIMENSIONS

LENGTH	310 mm
WIDTH	190 mm
HEIGHT	490 mm

#### APPROX. WEIGHTS

NET WEIGHT, EMPTY	37.3 kg
WEIGHT FULL OF WATER	40.7 kg
PLATE MATERIAL	ALLOY 316
PLATE THICKNESS	0.5 mm
GASKET	NBRP Clip-on

CHANNEL ARRANGEMENT 1\*17 L / 1\*17 L

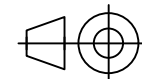


www.alfalaval.com

DRAWING  
GASKETED PLATE HEAT EXCHANGER

# M3-FG

PED Article 4.3



8240122413

Do not use this drawing for foundation bolting or piping layout

DATE 2/23/22  
REVISION 0