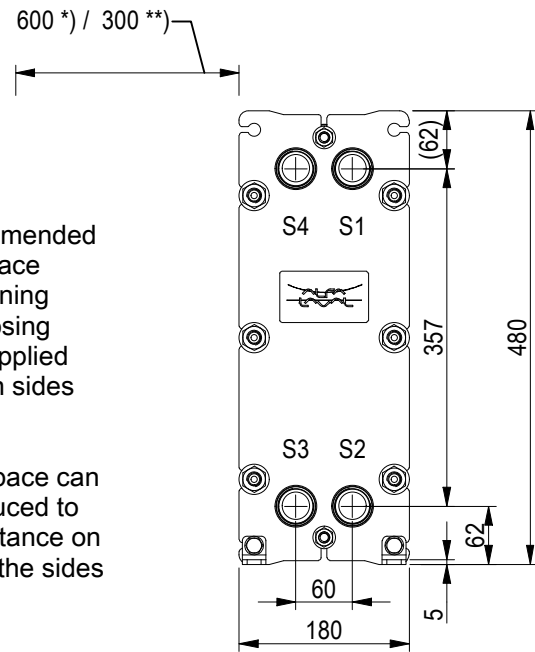


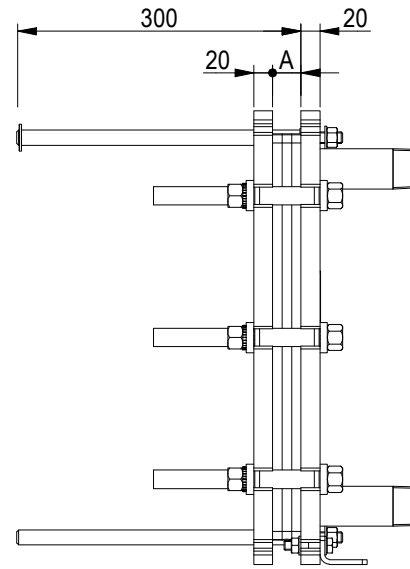
FRAME PLATE



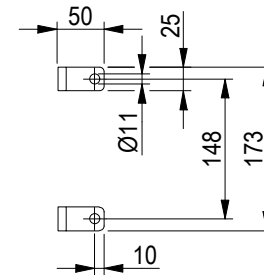
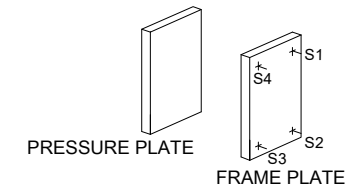
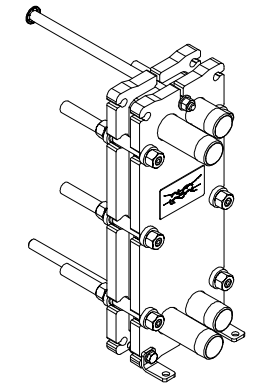
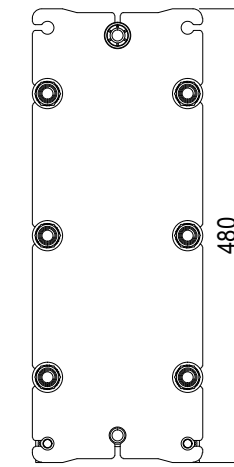
*) Recommended free space for opening and closing to be applied on both sides

**) Free space can be reduced to this distance on one of the sides

Space between pressure plate and supporting column should be kept free from fixed installations!



PRESSURE PLATE (MOVABLE)

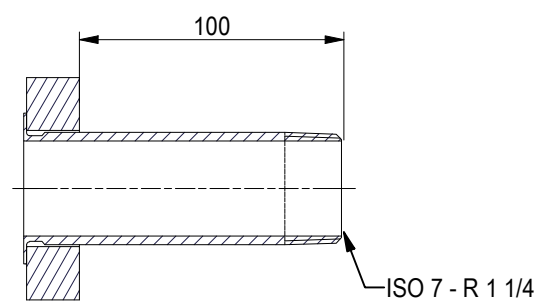
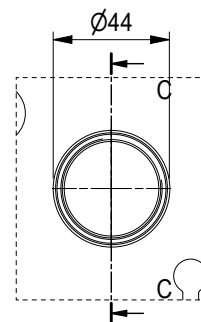
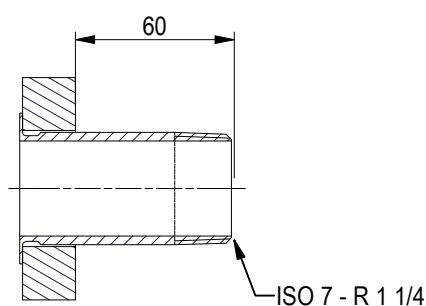
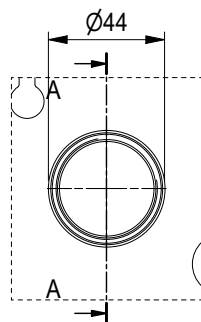


ISO 7 - R 1 1/4, ALLOY 316, 80 mm
S1, S2

A-A:

ISO 7 - R 1 1/4, ALLOY 316, 120 mm
S3, S4

C-C:



All dimensions in millimeters (mm)

NO. OF UNITS

1

APPROX. OUTER DIMENSIONS

| | |
|--------|--------|
| LENGTH | 310 mm |
| WIDTH | 190 mm |
| HEIGHT | 490 mm |

APPROX. WEIGHTS

| | |
|----------------------|--------------|
| NET WEIGHT, EMPTY | 30.7 kg |
| WEIGHT FULL OF WATER | 32.3 kg |
| PLATE MATERIAL | ALLOY 316 |
| PLATE THICKNESS | 0.5 mm |
| GASKET | NBRP Clip-on |

CHANNEL ARRANGEMENT 1*7 L
/ 1*7 L

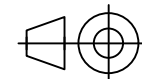


www.alfalaval.com

DRAWING
GASKETED PLATE HEAT EXCHANGER

M3-FG

PED Article 4.3



8240122408

Do not use this drawing for foundation bolting or piping layout

DATE 2/23/22
REVISION 0