

**resideo**

## Product information

Protective device type CA with threaded connection for liquid category 3 according to SS-EN 1717. Integrated filter, compact design.

Dimension range (DN)	15 - 20
PN	10
Temperature (°C)	0 - 65
Main material	Brass



## Area of use

Protective devices are used in backflow preventers to protect internal and external drinking water systems against backflow and overpressure. The protective covering is suitable for liquids up to category 3. The backflow preventer is of type CA in accordance with SS-EN 1717. It is used, for example, when filling heating and cooling systems.

## Tender text

### **PSG.26 Backflow preventers**

Backflow prevention device AT 1169-X... with pressure-controlled intermediate chamber. Protective module type CA for maximum protection coverage liquid category 3 according to SS-EN 1717.

## Quality assurance

AFS 2016:1, 8 paragraf, Fluid category 3, SS-EN 1717

Tested according to EN 14367.

**Product marking:** Manufacturer, DN, PN, flow direction, manufacturer and manufacturing number.

## Energy and environment declaration

**Product Bvb:** Avoided

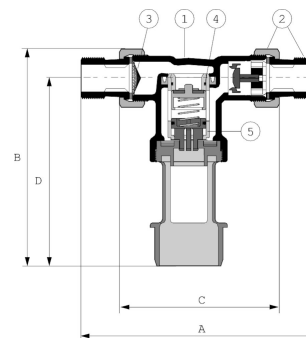
**Product BVB ID:** 21104

**SundaHus:** C-

**Reach notification obligation**

**Reach date:** 6/14/2023 12:00:00 AM

Pos	Component	Material
-----	-----------	----------



## Measurements and weight

**Dimension range (DN):** 15 - 20

DN	A	B	C	D
15	142	114	82	97
20	150	114	82	93

## Function and design

Backflow preventer type CA covers the risks up to liquid category 3 when connecting drinking water. That is, "Liquid that poses a certain health risk due to the presence of one or more harmful substances".

The protective device is divided into three pressure zones through double check valves and an intermediate chamber with drainage. The intermediate chamber provides a safety zone between incoming drinking water and contaminated water downstream. When the differential pressure between the inlet zone and the intermediate zone drops below 10% of the inlet pressure, the intermediate chamber drains to atmosphere. The protection protects against both siphon backflow and pressure backflow.

The backflow preventer is equipped with an integrated filter in the inlet of the protective device.

## Technical data

**Main material:** Brass

**Main material code:** Brass dezincification resistant (DZR)

**Included materials:** Brass, Stainless steel, Rubber

**Included material code:** Brass dezincification resistant (DZR), EPDM (ethylene propylene diene monomer rubber)

**Temperature (°C):** 0 - 65

**PN:** 10

**Connection:** Internal thread ISO 228-1 (G, BSPP)

**ETIM classification:** EC004501 - Backflow preventer

## Installation and maintenance

**Flowdirection:** Uni-directional

**Possible mounting position:** Horizontal

**Possible mounting position notes:** "Mounted horizontally with drainage downwards."

The product does not allow for repairs beyond cleaning. The inlet strainer may need to be cleaned of dirt and metal shavings.

The cone insert with back valve can be removed by unscrewing the drainage pipe at the bottom. It should be mounted horizontally with drainage downwards.

Please feel free to contact us

We answer your questions by e-mail and telephone. No question is too small, no challenge is too big. You are always welcome at Armatec.

post@armatec.no | +47 23 24 55 00 | www.armatec.no

THE COMPANY'S MANAGEMENT SYSTEM  
IS CERTIFIED BY KIWA  
ISO 9001 • ISO 14001