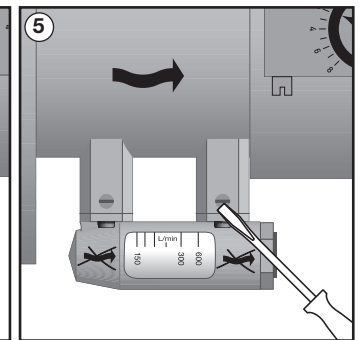
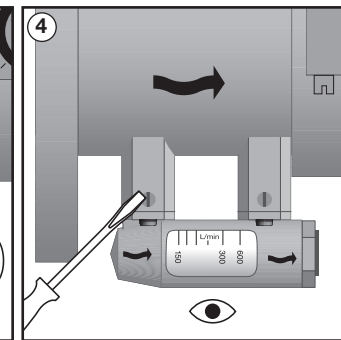
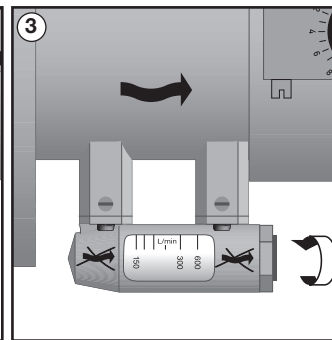
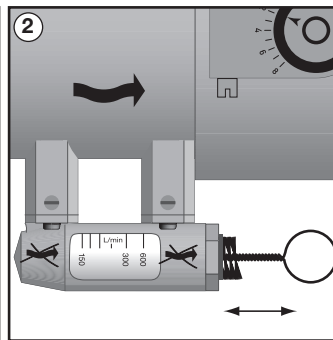
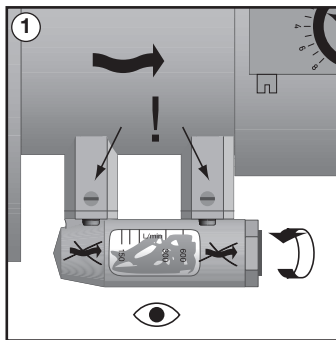
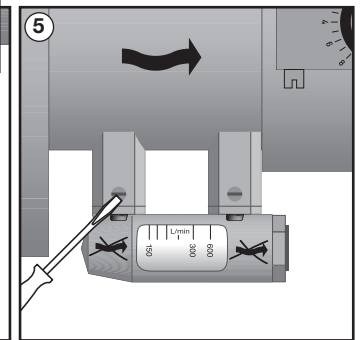
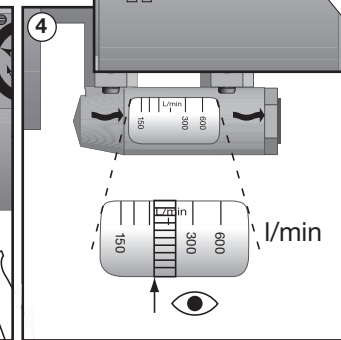
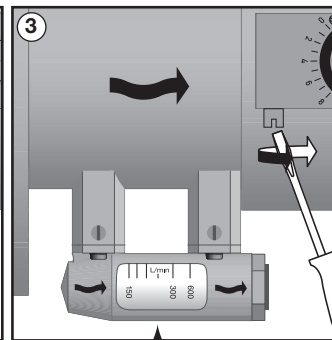
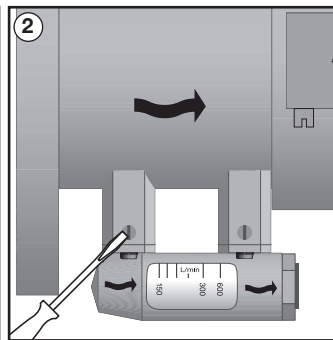
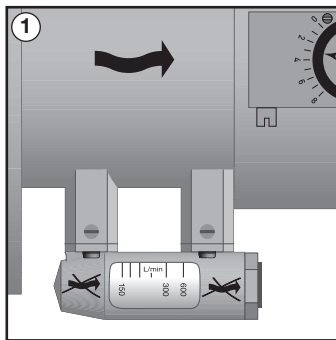


DN	
65	4 x ø 18
80	8 x ø 18
100	8 x ø 18



TB	100°C	
PB	10 bar	

