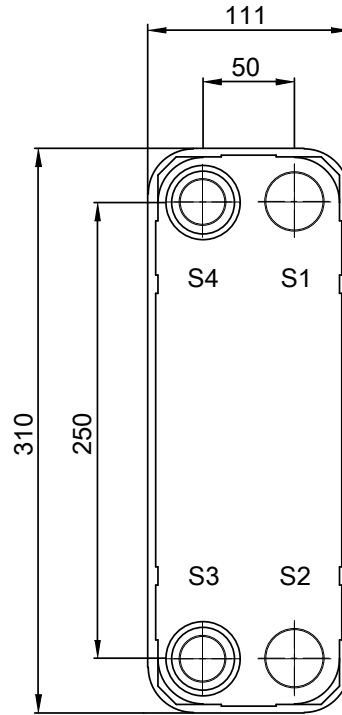
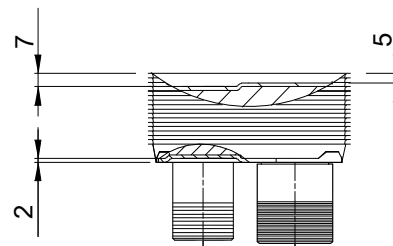
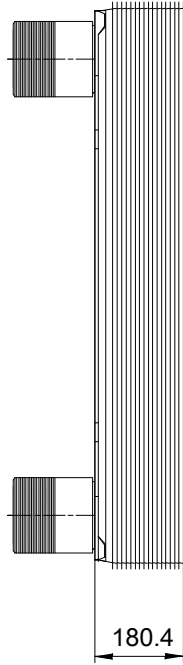
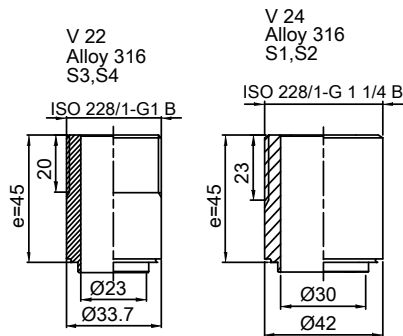


Note that all unique customer requirements (i.e tolerance) need to be verified thru Alfa Laval.



HEATING SURFACE  
 NETWEIGHT 10.9 kg  
 OPERATING WEIGHT  
 PLATE MATERIAL Alloy 316  
 PLATE GROUPING 1\*34H/1\*35H

Frameplate is depressed 2 mm at connection S3/S4  
 Pressureplate is depressed 2 mm / even number of channel plates  
 at connections T3/T4 / uneven number of channel plates at  
 connections T1/T2.

T1 T2 T3 T4 locations on back side  
 correspond to S1 S2 S3 S4 on front side

ALL DIMENSIONS IN MILLIMETERS

SIDE	MEDIA	INLET	TEMP.	OUTLET	TEMP.	FLOW RATE	PRESSURE DROP	LIQUID VOL.
1								1.7 dm <sup>3</sup>
2								1.75 dm <sup>3</sup>

PRESSURE VESSEL APPROVAL PED

AlfaNova 27-70H (3288000999)

www.alfalaval.com

CUSTOMER NAME / REF. NO.

TOTAL LENGTH 225.4 mm  
 TOTAL WIDTH 111.0 mm  
 TOTAL HEIGHT 310.0 mm

COMPANY / REF.



8/6/2021  
 REV 0