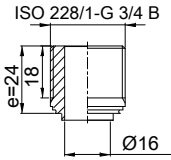
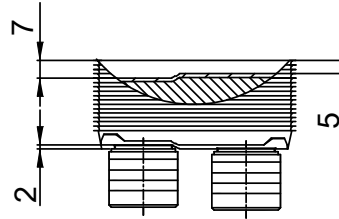
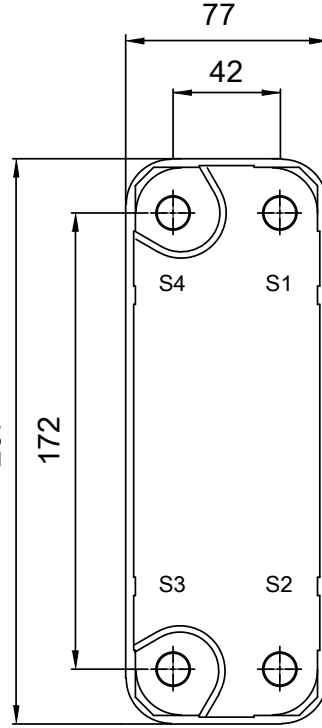
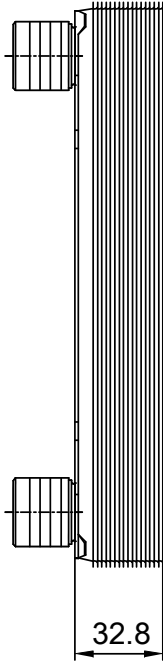


Note that all unique customer requirements (i.e tolerance) need to be verified thru Alfa Laval.



A 21
Alloy 316
S1,S2,S3,S4



Frameplate is depressed 2 mm at connection S3/S4
Pressureplate is depressed 2 mm / even number of channel plates
at connections T3/T4 / uneven number of channel plates at
connections T1/T2.

HEATING SURFACE
NETWEIGHT 1.18 kg
OPERATING WEIGHT
PLATE MATERIAL Alloy 316
PLATE GROUPING 1*4H/1*5H

ALL DIMENSIONS IN MILLIMETERS

SIDE	MEDIA	INLET	TEMP.	OUTLET	TEMP.	FLOW RATE	PRESSURE DROP	LIQUID VOL.
1								0.08 dm ³
2								0.1 dm ³

PRESSURE VESSEL APPROVAL PED
AlfaNova 14-10H (3287050661)



www.alfalaval.com

CUSTOMER NAME / REF. NO.

COMPANY / REF.

TOTAL LENGTH 56.8 mm
TOTAL WIDTH 77.0 mm
TOTAL HEIGHT 207.0 mm

8/6/2021
REV 0