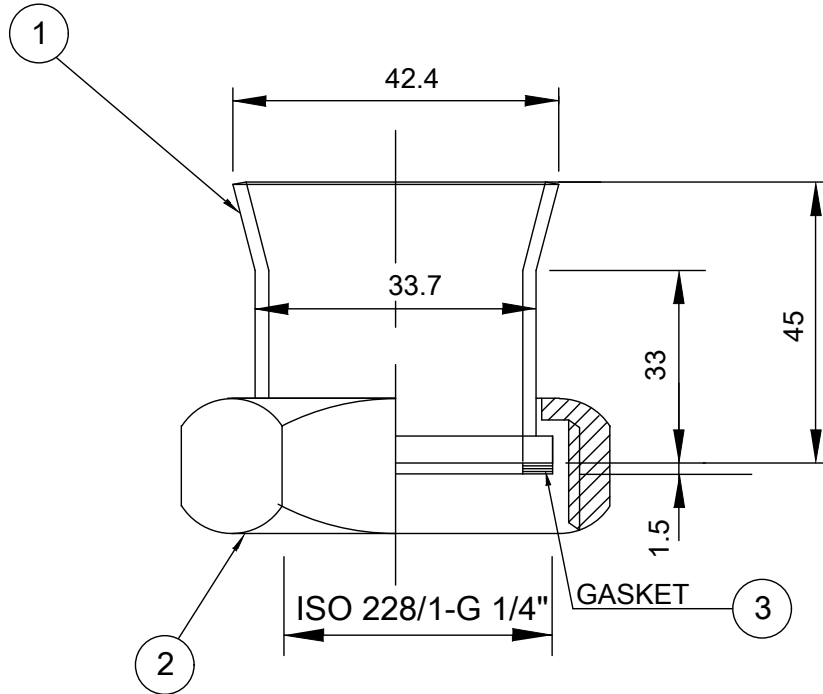


2-pack ISO 228/1-G 1 1/4" carbon steel nut, DN32 carbon steel pipe for welding



2	3		Gasket	Reinz AFM-34	
2	2		Cap Nut	Carbon steel	
2	1		Tube	Carbon steel	
Qty	item		Name/Designation	Material	Notes



3456632601

2x ISO G1 1/4" CS; Pipe DN32 CS

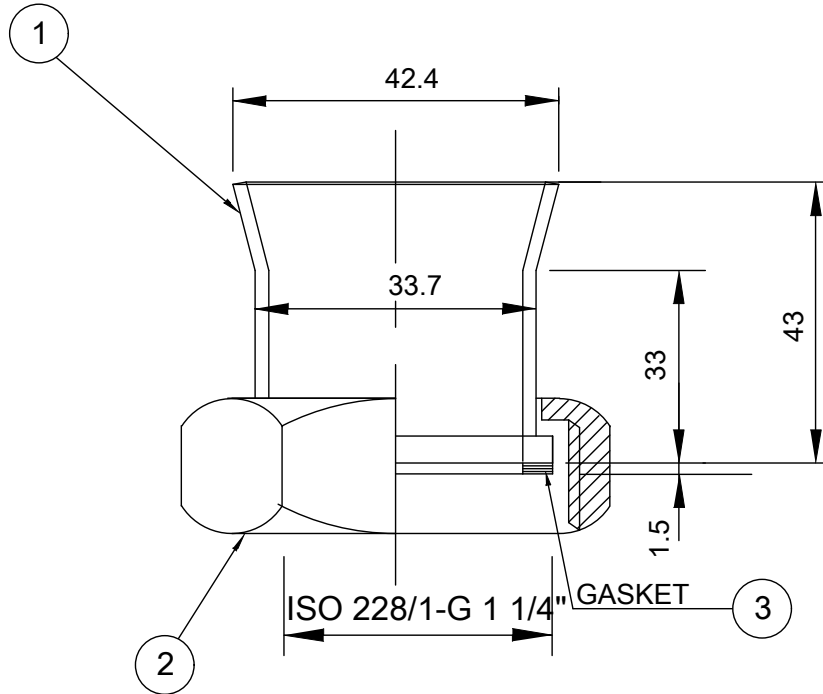
www.alfalaval.com

{CUSTOMER NAME / REF. NO}

COMPANY / REF.
Alfa Laval Nordic AB
Alfa Laval Lund AB 721009

6/28/2022

2-pack ISO 228/1-G 1 1/4" stainless steel nut, DN32 stainless steel pipe for welding



2	3		Gasket	Reinz AFM-34	
2	2		Cap Nut	Stainless steel	
2	1		Tube	Stainless steel	
Qty	item		Name/Designation	Material	Notes



3456875501

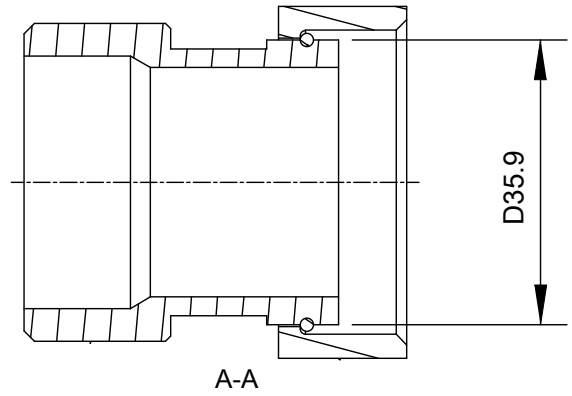
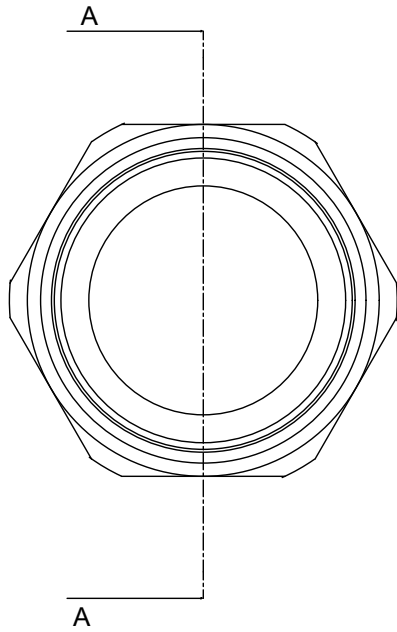
2x ISO G1 1/4" SS; Pipe DN32 SS

www.alfalaval.com

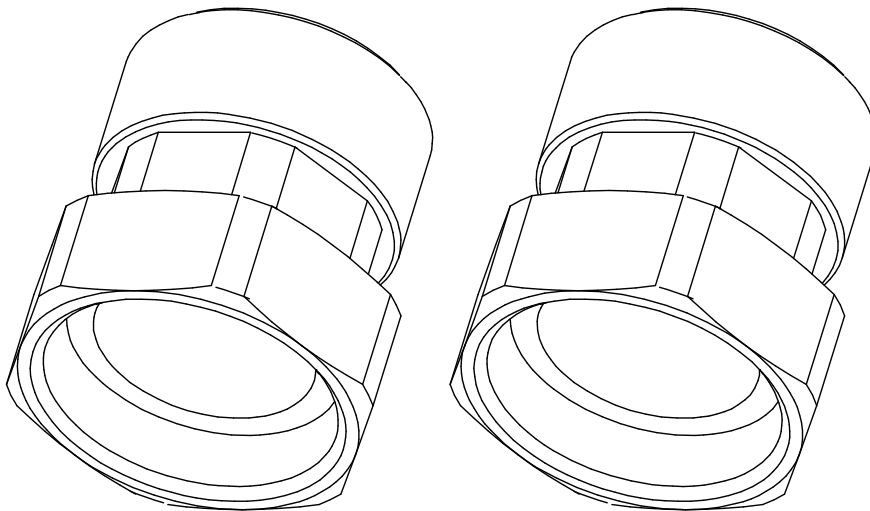
{CUSTOMER NAME / REF. NO}

COMPANY / REF.
Alfa Laval Nordic AB
Alfa Laval Lund AB 721009

6/28/2022



2x ISO G1 1/4"-1 1/4" Brass. Fits with V24



1	1		Coupling	Brass	
Qty	item		Name/Designation	Material	Notes



3456643801

2x ISO G1 1/4" – 1 1/4" Brass.

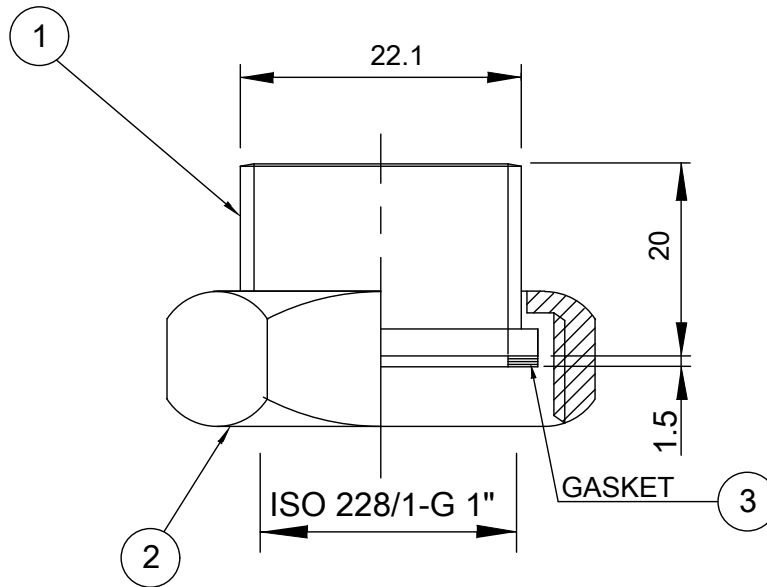
www.alfalaval.com

{CUSTOMER NAME / REF. NO}

COMPANY / REF.
Alfa Laval Nordic AB
Alfa Laval Lund AB 721009

6/28/2022

2x ISO 228/1-G1" CS; d22 Brass



2	3		Gasket	Reinz AFM-34	
2	2		Cap Nut	Carbon steel	
2	1		Tube	Brass	
Qty	item		Name/Designation	Material	Notes



3456634501

2x ISO G1" CS; d22 Brass

www.alfalaval.com

{CUSTOMER NAME / REF. NO}

COMPANY / REF.
Alfa Laval Nordic AB
Alfa Laval Lund AB 721009

6/28/2022