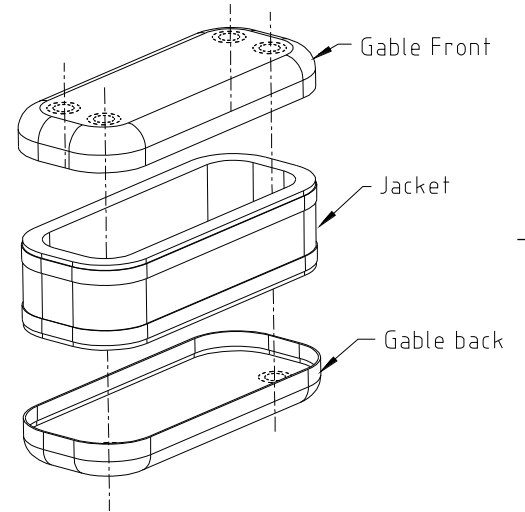
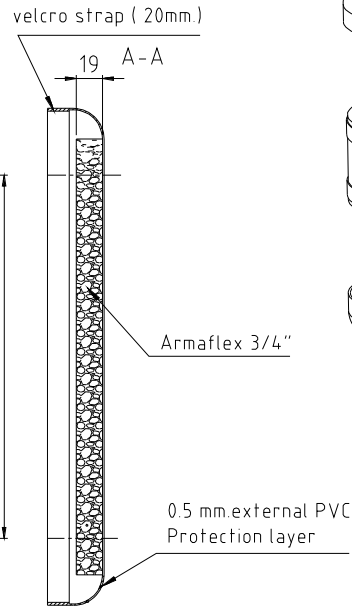
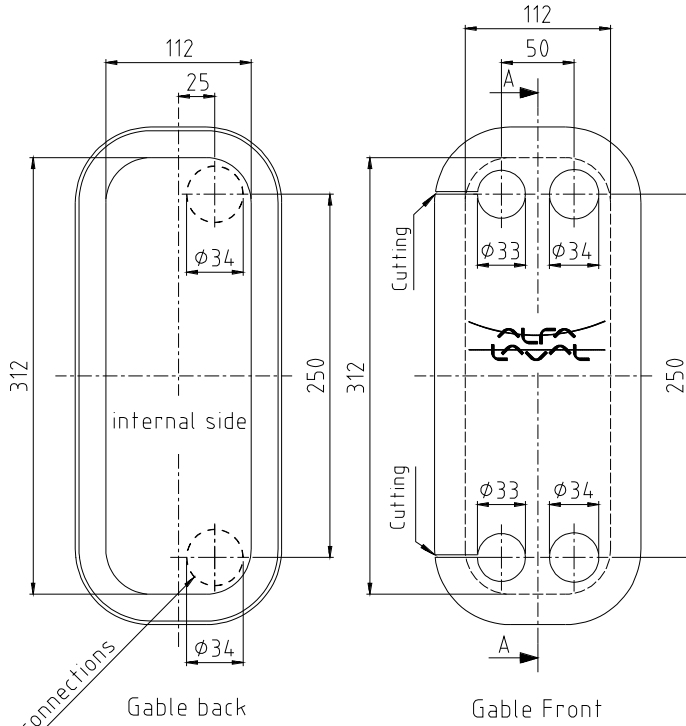
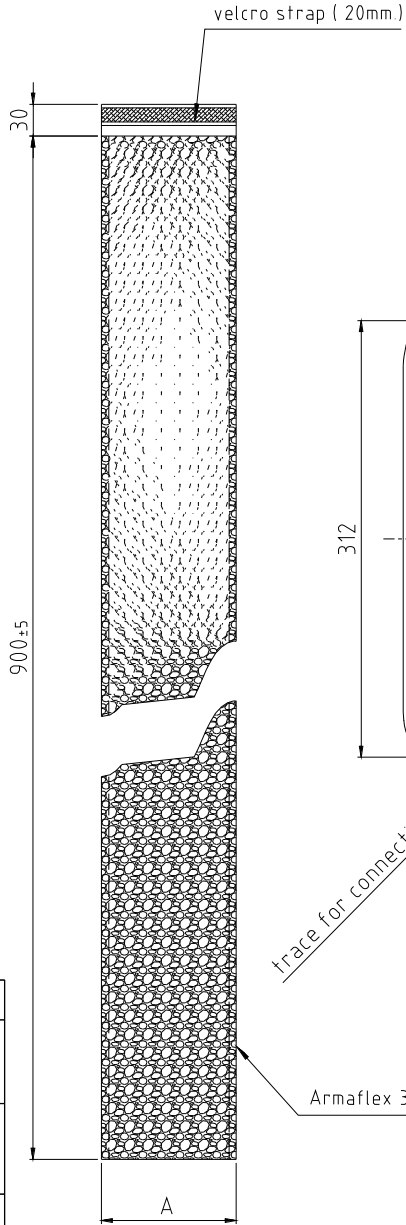


Only to the extent expressly agreed by us this document may constitute a contractual obligation on our part.

This document and its contents are the exclusive property of Alfa Laval AB and must not be copied, reproduced, transmitted or communicated to any other party or used for purposes not expressly permitted by us.



| Article No. | No. of plates | A |
|-------------|---------------|-----|
| 34562139-01 | 10-14 | 30 |
| 34562139-02 | 20-24 | 55 |
| 34562139-03 | 30-34 | 80 |
| 34562139-04 | 40 | 100 |
| 34562139-05 | 50 | 125 |
| 34562139-06 | 60 | 150 |
| 34562139-07 | 70 | 175 |
| 34562139-08 | 100 | 245 |

**SÄRSKILDA KRAV
SPEC. REQUIREMENTS**

Kanter brutna
Grader avlägsnade
Ytjämnhet Ra
Edges broken
Burr's removed
Surface roughn. in Ra

Toleranser där ej
annat angetts. Avser
spånvaskij, bearbetn.
slippa eller stan-
sade ytor.
Tolerances where not
stated. Chip cutting,
shearing or punching.

| Basic size | Tol. |
|------------|-----------|
| (1) | 6 ± 0.2 |
| (6) | 30 ± 0.5 |
| (30) | 120 ± 0.8 |
| (120) | 315 ± 1.2 |
| (315) | 1000 ± 2 |
| (1000) | 2000 ± 3 |
| (2000) | 4.000 ± 4 |

| | | | | |
|---|--|----------------------|--|--|
| 1 | | Instruction manual | | |
| 2 | | Gable front and back | | |
| 1 | | Plastic bag | | |
| 1 | | Jacket | | |

| Qty | Item | Article No. | Name/Designation | Material (final condition)/Blank | Note | | | | | |
|-----|--------------|-------------|---------------------|----------------------------------|--|-------|-------------|------------------------------|---------|---|
| | Dept: | R&D | Date | 061109 | Scale | 1:1 | Title | Kit Insulation - BHE CB27 | | |
| | Drawn: | MPN | Approved: | RRN 080512 | First angle projection ISO method E | | | | | |
| | Assembly No. | 34562139-XX | DESIGN NOTIFICATION | Project No.: | Change Level: | Text: | Drawing No. | 34562139 | Rev No. | 0 |