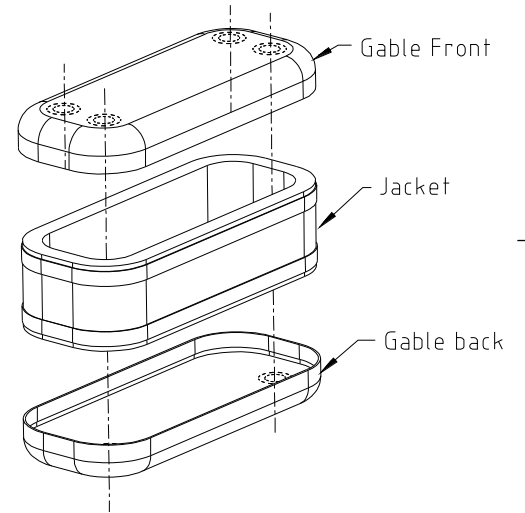
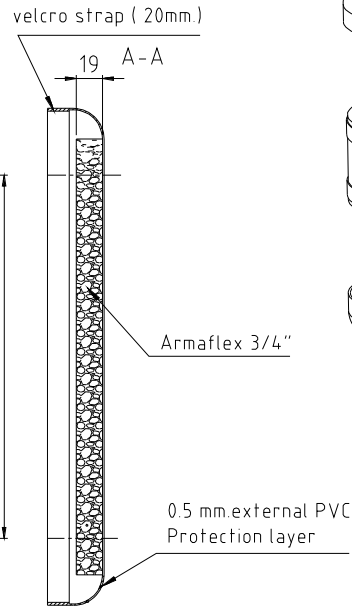
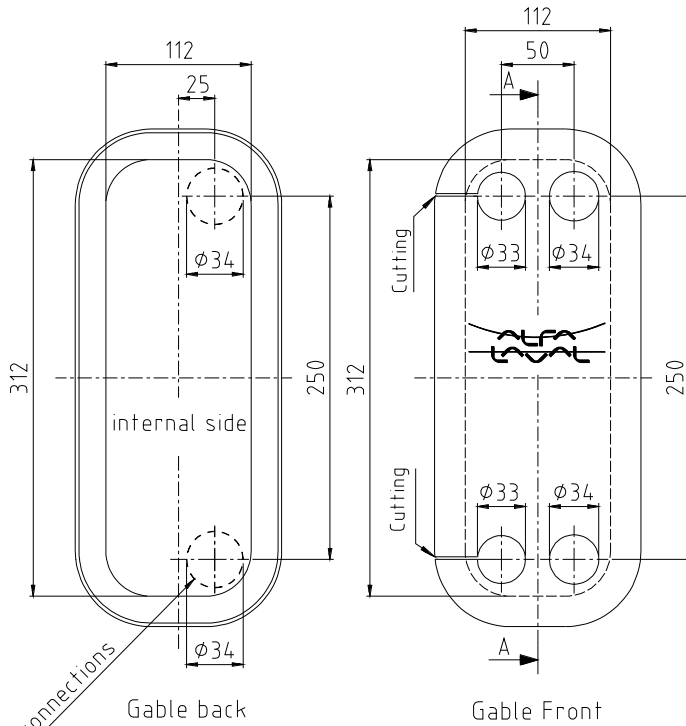
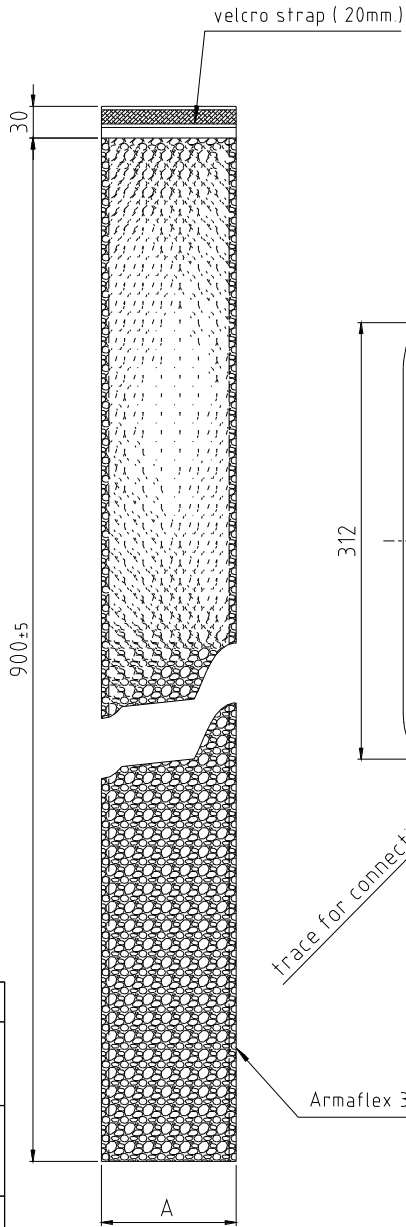


Only to the extent expressly agreed by us this document may constitute a contractual obligation on our part.

This document and its contents are the exclusive property of Alfa Laval AB and must not be copied, reproduced, transmitted or communicated to any other party or used for purposes not expressly permitted by us.



Article No.	No. of plates	A
34562139-01	10-14	30
34562139-02	20-24	55
34562139-03	30-34	80
34562139-04	40	100
34562139-05	50	125
34562139-06	60	150
34562139-07	70	175
34562139-08	100	245

**SÄRSKILDA KRAV
SPEC. REQUIREMENTS**

Kanter brutna
Grader avlägsnade
Ytjämnhet Ra
Edges broken
Burr's removed
Surface roughn. in Ra

Toleranser där ej annat angefts. Avser spånvaskij, bearbetn., slippa eller stansade ytor.
Tolerances where not stated. Chip cutting, shearing or punching.

Basic size	Tol.
(1)	6 ± 0.2
(6)	30 ± 0.5
(30)	120 ± 0.8
(120)	315 ± 1.2
(315)	1000 ± 2
(1000)	2000 ± 3
(2000)	4.000 ± 4

trace for connections

Armaflex 3/4''(19mm)+0.5 PVC layer

1		Instruction manual		
2		Gable front and back		
1		Plastic bag		
1		Jacket		

Qty	Item	Article No.	Name/Designation	Material (final condition)/Blank	Note
	Dept: R&D	Date: 061109	Scale: 1:1	Title: Kit Insulation - BHE CB27	
	Drawn: MPN	Approved: RRN 080512	First angle projection ISO method E		
	Assembly No: 34562139-XX	DESIGN NOTIFICATION		Drawing No: 34562139	Rev No: 0
		Project No.:			
		Change Level:			
		Text:			