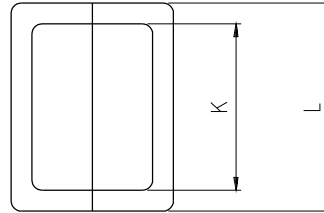
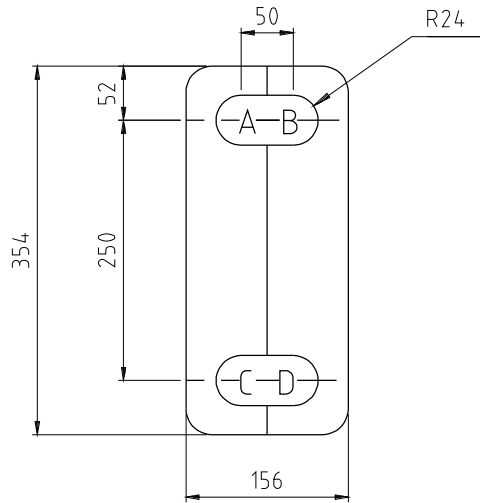


Only to the extent expressly agreed by us this document may constitute a contractual obligation on our part

This document and its contents are the exclusive property of Alfa Laval AB and must not be copied, reproduced, transmitted or communicated to any other party or used for purposes not expressly permitted by us.



Max No. of plates				
AlfaNova	CB	K	L	ARTICLE NO.
0-24	0-25	73	113	34561046-01
25-48	26-50	133	173	34561046-02
49-98	51-100	253	293	34561046-03



1) NOTE
THERMAL CONDUCTIVITY: 0.035-0.039 W/mK

SÄRSKILDA KRAV
SPEC. REQUIREMENTS

Kanter brutna
Grader avlagsnade
Ytjämnhet Ra

Edges broken
Burr removed
Surface roughn. in Ra

Toleranser där ej annat angetts. Avser spånavsckilj, bearbetn., klippta eller stansade ytor.
Tolerances where not stated. Chip cutting, shearing or punching.

Basmått Basic size	Tol.
(1)	6 ± 0.2
(6)	30 ± 0.5
(30)	120 ± 0.8
(120)	315 ± 1.2
(315)	1000 ± 2
(1000)	2000 ± 3
(2000)	4000 ± 4

Qty	Item	Article No.	Name/Designation	Material (final condition)/Blank	Note						
		34561046-XX	INSUL. BLACK	EPP	1.)						
Assembly No.	Dept.	PC CHE	Date	120323	Scale	1:5	Title	INSULATION EPP BLACK CB27/30, AN27 BHE / FHE			
	Drawn	AHN	Approved	AEK 130130	First angle projection ISO method E						
	DESIGN NOTIFICATION		Project No.:		Change Level: 2		Text:		CB30 added. Note added.		
							Drawing No.		34561046		
								Rev. No.		2	