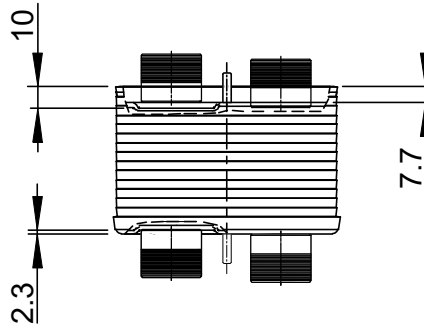
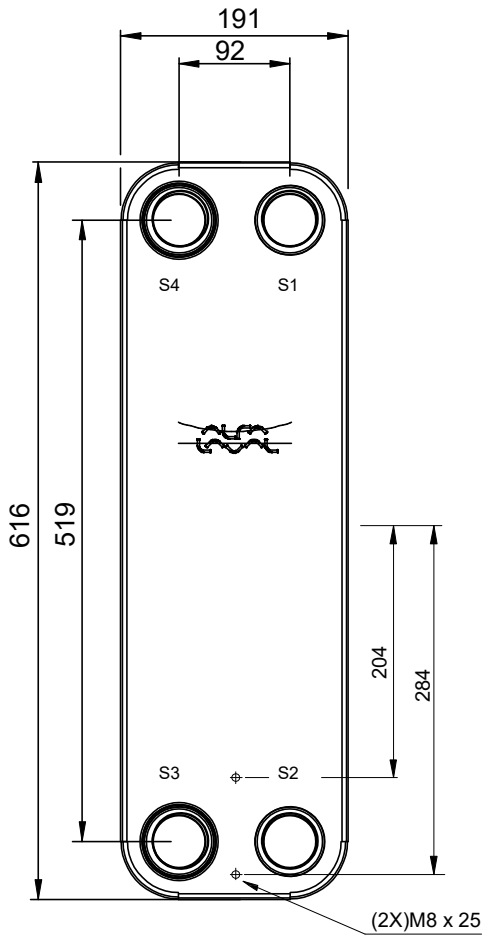
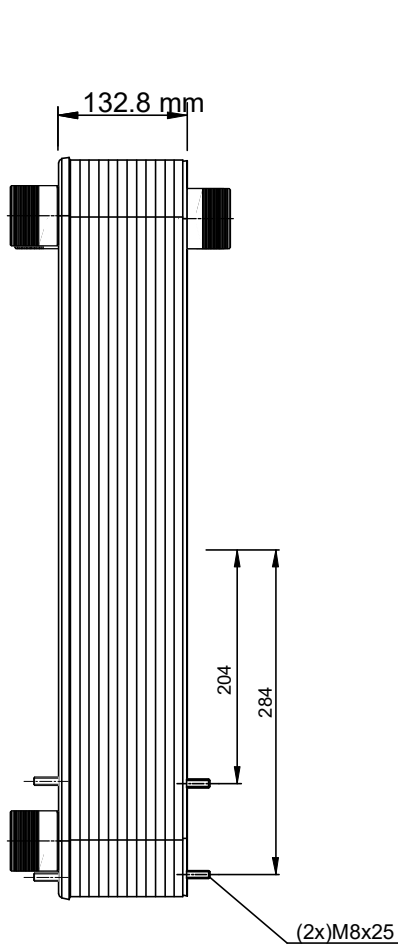
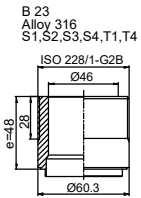


Note that all unique customer requirements (i.e tolerance) need to be verified thru Alfa Laval.



ALL DIMENSIONS IN MILLIMETERS

HEATING SURFACE		PLATE MATERIAL	Alloy 316	TOTAL LENGTH	218.8
NETWEIGHT	23.23 kg			TOTAL WIDTH	191.0
OPERATING WEIGHT		PLATE GROUPING	2*11ML/1*11MH+1*12MH	TOTAL HEIGHT	616.0

SUPPLIER	REF.	MP NO.
AGENT/REF.		
CUSTOMER NAME / REF. NO.		
SIGN.		

PLATE HEAT EXCHANGER

**CB110-46M Pre/Post Heater**  
PED



ITEM ID.	32871 3314 2
DATE	2022-03-22
REV No.	0

MEDIA	INLET	TEMP.	OUTLET	TEMP.	FLOW RATE	PRESSURE DROP	LIQUID VOL.
	S1		T1				4.83 dm <sup>3</sup>
	S4		T4				4.62 dm <sup>3</sup>