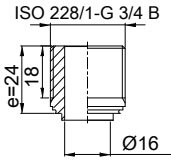
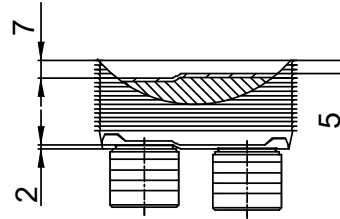
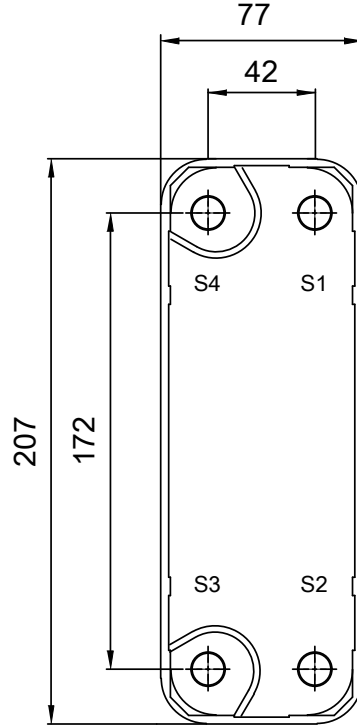
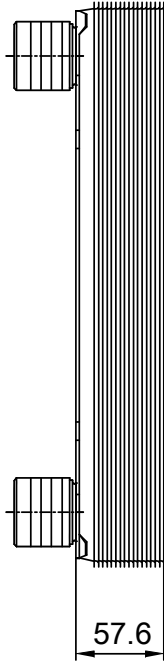


Note that all unique customer requirements (i.e tolerance) need to be verified thru Alfa Laval.



A 21  
Alloy 316  
S1,S2,S3,S4



Frameplate is depressed 2 mm at connection S3/S4  
Pressureplate is depressed 2 mm / even number of channel plates  
at connections T3/T4 / uneven number of channel plates at  
connections T1/T2.

HEATING SURFACE  
NETWEIGHT 1.88 kg  
OPERATING WEIGHT  
PLATE MATERIAL Alloy 316  
PLATE GROUPING 1\*9H/1\*10H

ALL DIMENSIONS IN MILLIMETERS

SIDE	MEDIA	INLET	TEMP.	OUTLET	TEMP.	FLOW RATE	PRESSURE DROP	LIQUID VOL.
1								0.18 dm <sup>3</sup>
2								0.2 dm <sup>3</sup>

PRESSURE VESSEL APPROVAL PED  
AlfaNova 14-20H (3287050662)



www.alfalaval.com

CUSTOMER NAME / REF. NO.  
  
COMPANY / REF.

TOTAL LENGTH 81.6 mm  
TOTAL WIDTH 77.0 mm  
TOTAL HEIGHT 207.0 mm

8/6/2021  
REV 0