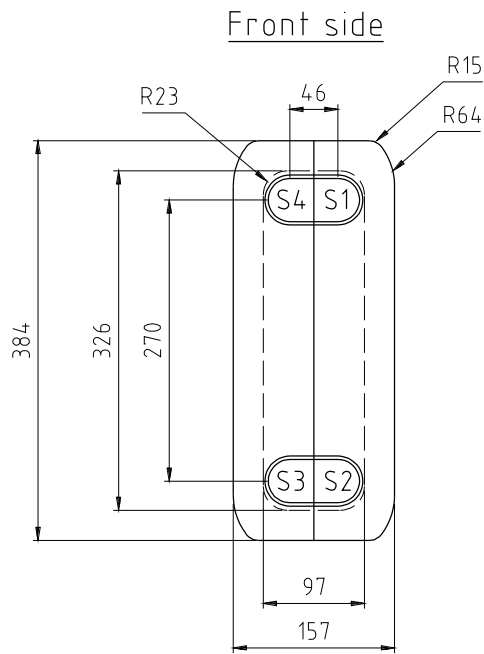


Only to the extent expressly agreed by us this document may constitute a contractual obligation on our part.

This document and its contents are the exclusive property of Alfa Laval AB and must not be copied, reproduced, transmitted or communicated to any other party or used for purposes not expressly permitted by us.



Back side

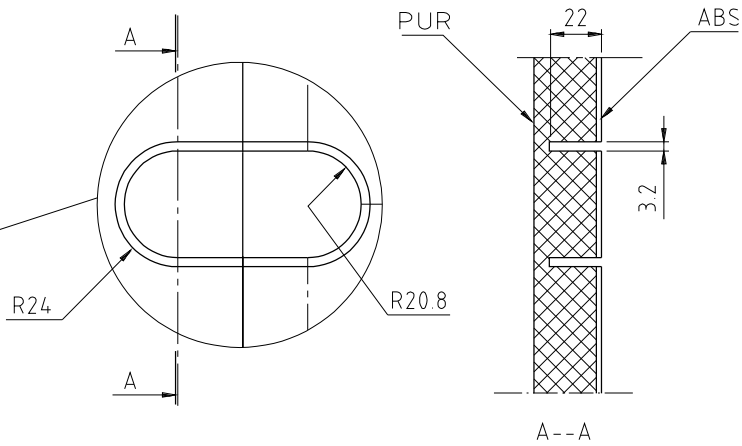
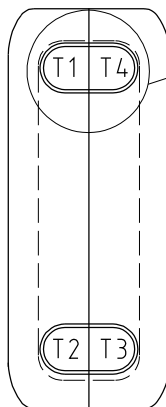


Table for CB20

Type	L	K	Art.No.
CB20/10-30	113	60	1643947-01
CB20/31-60	158	105	1643947-02
CB20/61-90	203	150	1643947-03
CB20/91-120	248	195	1643947-04
CB20/121-150	293	240	1643947-05
CB20/151-180	338	285	1643947-06

Table for CB18

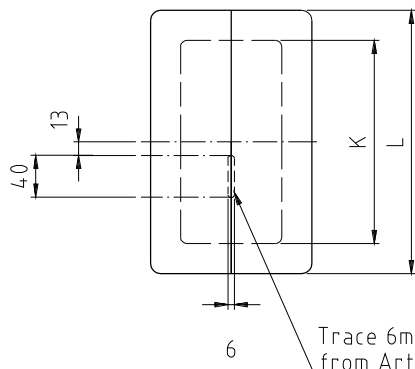
Type	L	K	Art.No.
CB18/Max 20 pl.	113	60	1643947-01
CB18/Max 40 pl.	158	105	1643947-02
CB18/Max 60 pl.	203	150	1643947-03



1) MATERIAL
 ABS WITH LEATHER GRAIN
 COLOUR BLUE NCS 3560-R75B
 POLYURETHAN 60 KG/M²

1) NOTE
 BURN RATE: EUROCLASS F3, OR B3
 THERMAL CONDUCTIVITY: 0.025-0.033 W/mK

Top side



Trace 6mm on under side from Art.No.1643947-02

SÄRSKILDA KRAV
SPEC. REQUIREMENTS

Kanter brutna
Grader avlagsnade
Ytjämnhet Ra

Edges broken
Burr removed
Surface roughn. in Ra

Toleranser där ej annat angetts. Avser spånavsstilj, bearbetn., klippa eller stansade ytor.
Tolerances where not stated. Chip cutting, shearing or punching.

Basmått Basic size	Tol.
(1)	6 ± 0.2
(6)	30 ± 0.5
(30)	120 ± 0.8
(120)	315 ± 1.2
(315)	1000 ± 2
(1000)	2000 ± 3
(2000)	4000 ± 4

Qty	Item	Article No.	Name/Designation	Material (final condition)/Blank	Note
		1643947-XX	Insulation kit	1)	See tabel
Assembly No.	Dept.	PC CHE	Date	130822	Title Insulation CB20 / CB18 BHE
	Drawn	AEK	Approved	AIC 130826	
	Scale	1:5	First angle projection ISO method E		Drawing No. 1643947
	DESIGN NOTIFICATION				
	Project No.:		Change Level: 6		
	Text:	Material changed.			