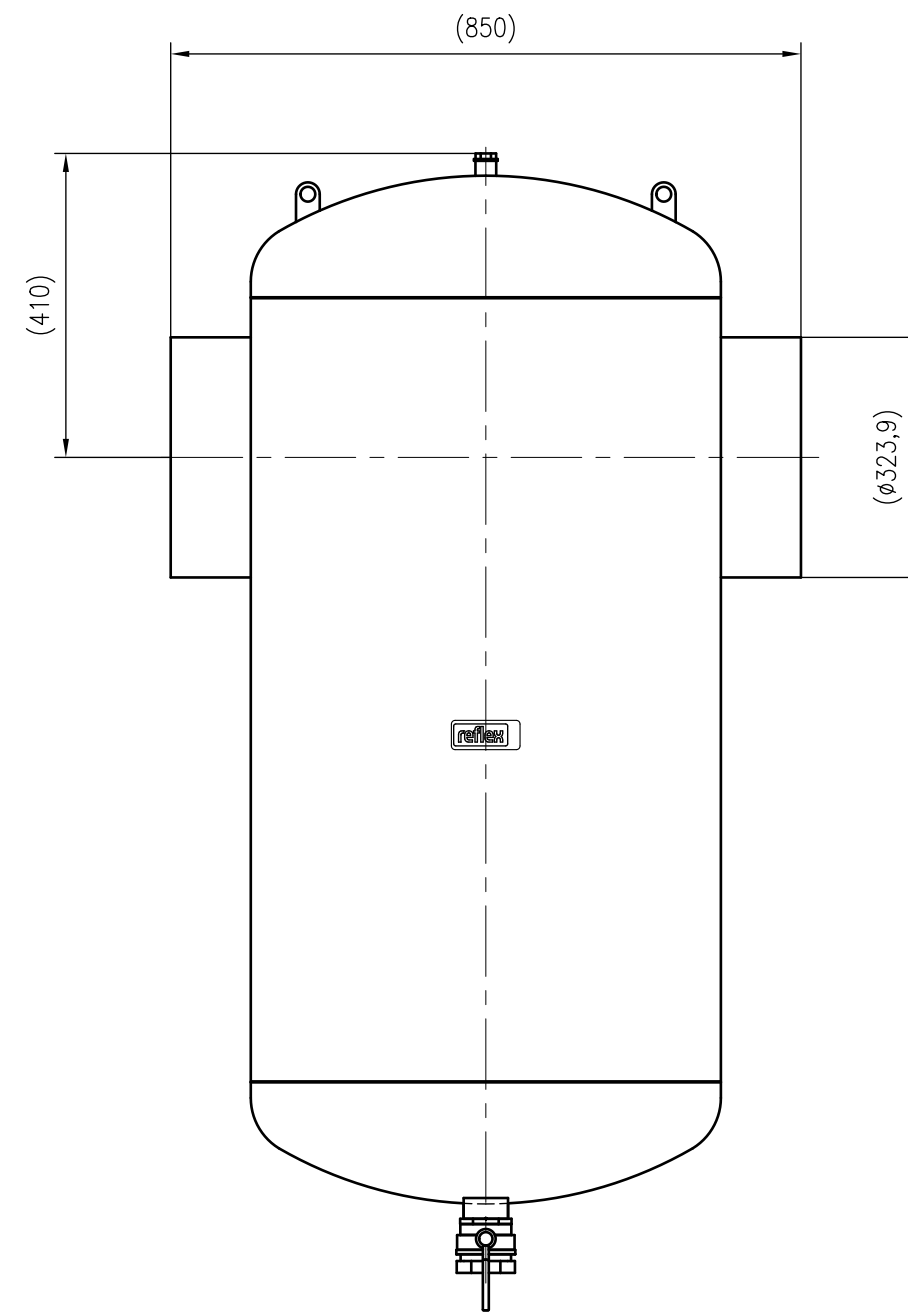
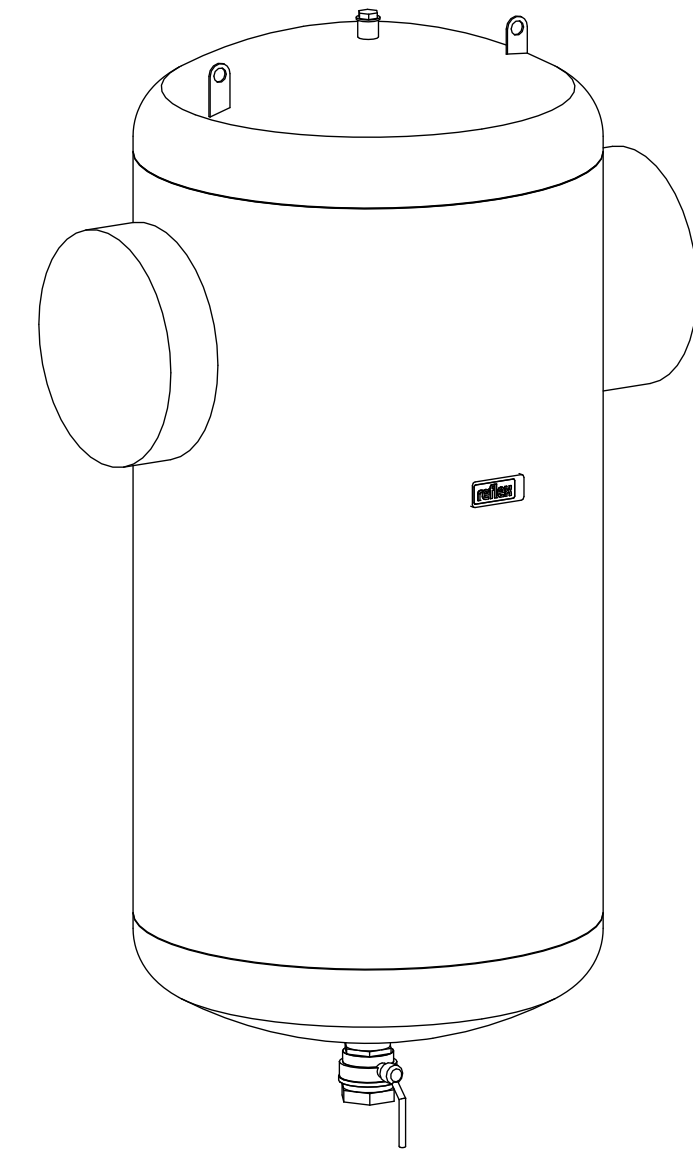


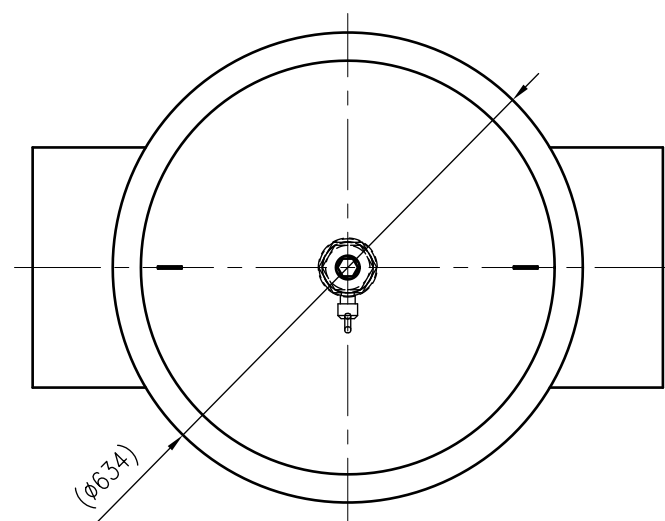
Side view



Front view



Isometric view



Top view



|   |                         |                         |                     |
|---|-------------------------|-------------------------|---------------------|
| Unterliegt nicht dem Änderungsdienst/<br>Not subject to change management |                         | Maßstab/<br>Scale: 1:10 | Format/<br>Size: A2 |
| Revision<br>23.05.2016  | Exdirt D323.9 – 8252180 |                         |                     |