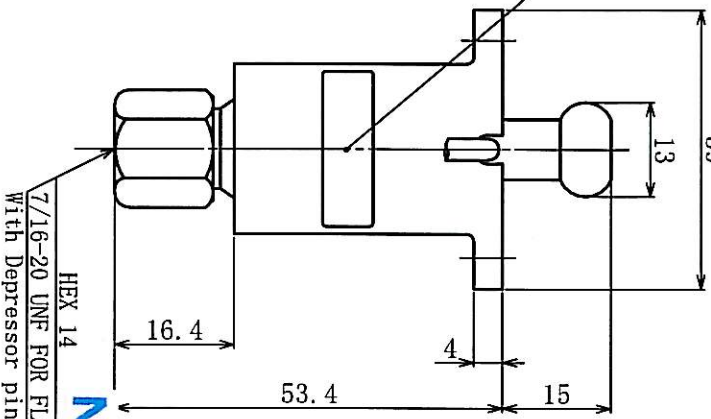
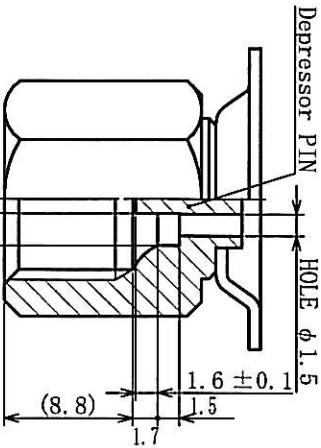
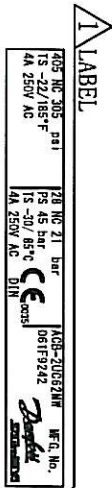
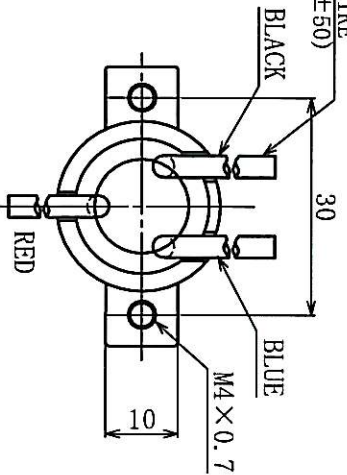


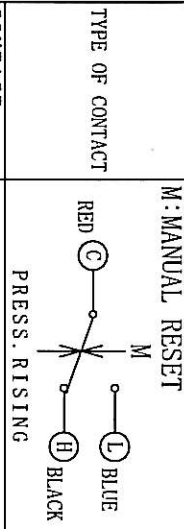
HEAT PROOF ELECTRIC VINYL WIRE
UL1015, AWG18, 105°C (α=1500±50)



NORDCOLD

OPERATING PRESS. CHARACTERISTICS.		OPERATING PRESS. SETTING UNIT: bar (psi)	DIFFERENTIAL
OFF	ON	28±1.0 {405±14}	21±1.5 {305±21}
RATED VOLTAGE (V)		A	C

ELECTRICAL RATINGS	
RATED AMPS. (A)	250
INDUCTIVE AMPS.	1~4



CONTACT RESISTANCE	LESS THAN 200 mΩ
INSULATION RESISTANCE AT DC 500V MEGGER	NOT LESS THAN 100 MΩ
DIELECTRIC STRENGTH FOR ONE MINUTE	WITHSTAND 1500V AC
MAX. PRESSURE	45 bar (650 psi)
AIR TIGHT PRESS.	45 bar (650 psi)
TEST PRESS.	50 bar (725 psi)
MAX. ALLOW. TEMP.	AMBIENT TEMP. -30 ~ 85°C (But no freeze) FLUID TEMP. -54 ~ 135°C
DURABILITY	10,000 TIMES
TÜV APPROVED	EN 12263 DIN 32733 (DWK PZH 101**)

Checked by	date	Scale	TYPE CB PRESSURE SWITCH	Drawing Number
M.F.	JUN.08	1:1	ACB-2UC62MW	N-CB-70177-1
Drawn by				
N.M.				
Code No.	061F 9242			

DATE	SIGN	CHANGE CONTENT
JAN.13.2009	✓	1 LABEL ERROR CORRECTION



★CONFIRMATION OF DESIGN VALIDITY
We manufacture the product based on the specifications described in this drawing. Please check the safety and validity in the product design in consideration that the product is conformed to the system or not when using.