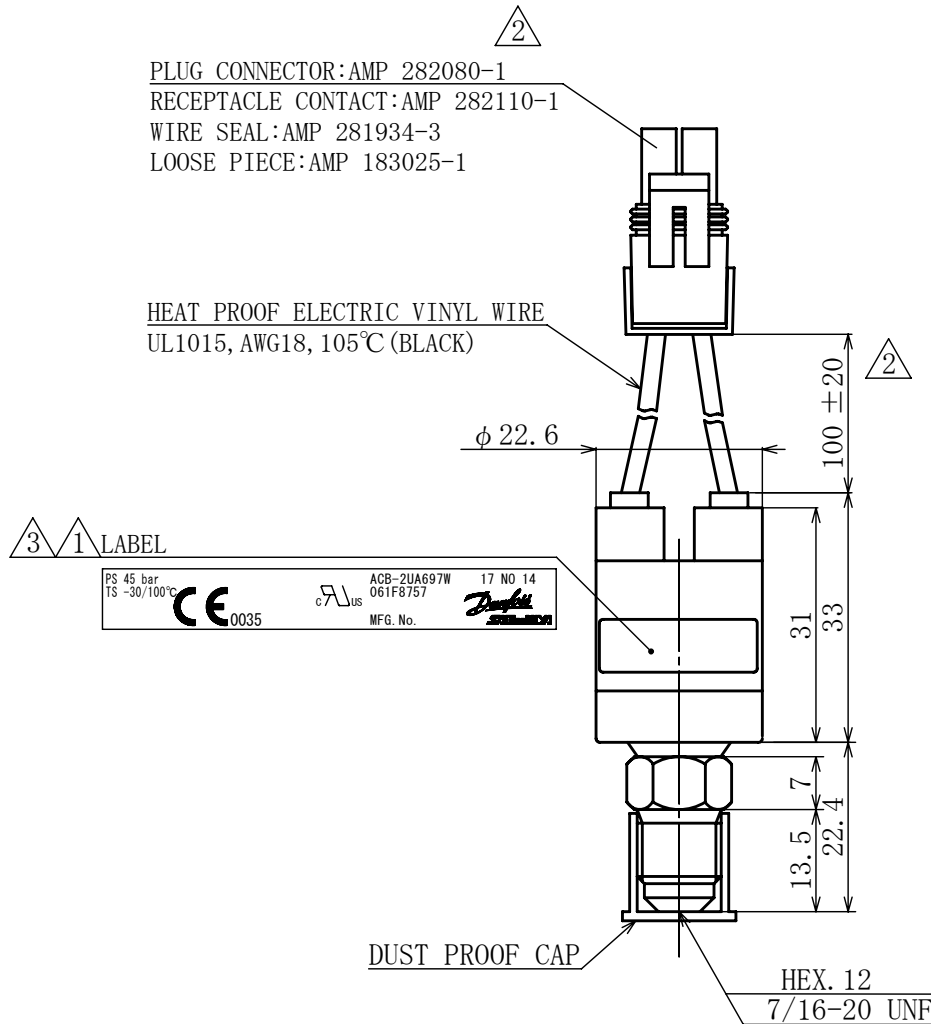


PLUG CONNECTOR:AMP 282080-1
 RECEPTACLE CONTACT:AMP 282110-1
 WIRE SEAL:AMP 281934-3
 LOOSE PIECE:AMP 183025-1

HEAT PROOF ELECTRIC VINYL WIRE
 UL1015, AWG18, 105°C (BLACK)



1	OPERATING PRESS. CHARACTERISTICS	OPERATING PRESS. SETTING		DIFFERENTIAL		
		UNIT:bar				
		OFF	O N			
		14±1.5	17±1	—		
1	ELECTRICAL RATINGS	PED TYPE	RATED VOLTAGE (V)		A C	
			RATED AMPS. (A)		250	
			INDUCTIVE AMPS.		1~6	
		UL TYPE	RATED VOLTAGE (V)		PF	A C
			RATED AMPS. (A)		Cos φ	120 240
			FULL LOAD AMPS.		0.75	8
		LOCKED ROTOR		0.45	48	
1	TYPE OF CONTACT		SINGLE POLE SINGLE THROW			
	CONTACT RESISTANCE		LESS THAN 200 mΩ			
	INSULATION RESISTANCE		NOT LESS THAN 100 MΩ			
	RESISTANCE		AT DC 500V MEGGER			
	DIELECTRIC STRENGTH		WITHSTAND 1500V AC FOR ONE MINUTE			
	MAX. PRESSURE		45 bar			
	AIR TIGHT PRESS.		45 bar			
	TEST PRESS.		50 bar			
	MAX. ALLOW. TEMP.		AMBIENT TEMP. -30~100°C {-22~212 °F} (But no freeze) FLUID TEMP. -54~135°C {-65 TO 275 °F}			
3	DURABILITY		100,000 TIMES			
	UL FILE NO.		E43867, E31024			
	C-UL FILE NO.					

Checked by	Date	Name	TYPE CB PRESSURE SWITCH	
M. F.	DEC. 04 2007			
Designed by	Scale	Catalog Number	1	Drawing Number
A. K.	1:1	ACB-2UA697W	1	N-CB-24023-3
Drawn by	Code No. :061F 8757			
N. M.				

SEP. 24, 2009	3	DEL. TÜV APPROVED
JAN. 29, 2008	2	REV. WIRE LENGTH & ADD. CONNECTOR
DEC. 17, 2007	1	REV. TYPE OF CONTACT & Catalog Number
DATE	SIGN	CHANGE CONTENT

★CONFIRMATION OF DESIGN VALIDITY
 We manufacture the product based on the specifications described in this drawing. Please check the safety and validity in the product design in consideration that the product is conformed to the system or not when using.

