

Contact
MOLEX 5556T
Housing
MOLEX 5557-02R

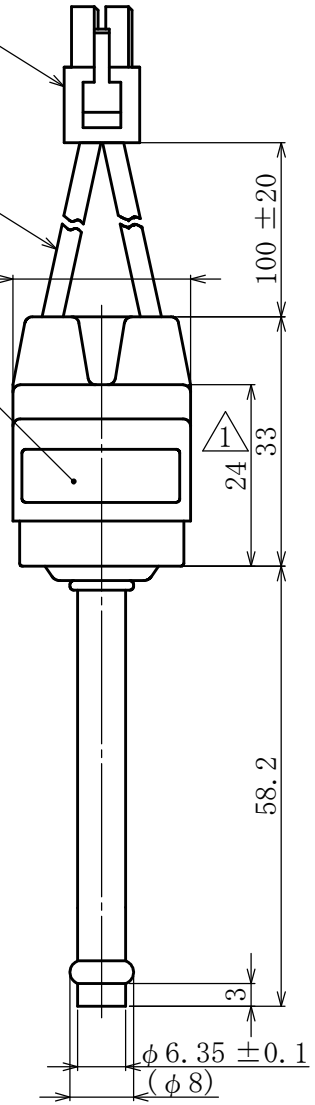
HEAT PROOF ELECTRIC VINYL WIRE
UL1015, AWG18, 105°C (BLACK)



$\phi 23.5$

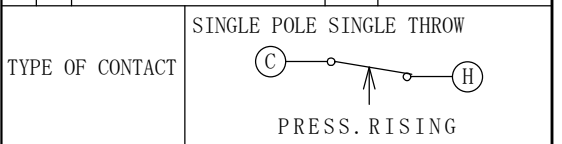


LABEL



AT BRAZING OF PIPES, WRAP THE SWITCH BODY WITH WET CLOTH AND KEEP THE TEMPERATURE OF SWITCH BODY UNDER 100°C

OPERATING PRESS. CHARACTERISTICS	OPERATING PRESS. SETTING		DIFFERENTIAL	
	UNIT: bar			
	OFF	O N		
	44 ± 1.0	35 ± 2.0	—	
ELECTRICAL RATINGS	PED TYPE	RATED VOLTAGE (V)		A C
		RATED AMPS. (A)		250
		INDUCTIVE AMPS.		1 ~ 6
	UL TYPE	RATED VOLTAGE (V)	PF	A C
				RATED AMPS. (A)
		FULL LOAD AMPS.	0.75	8
	LOCKED ROTOR	0.45	48	



CONTACT RESISTANCE	LESS THAN 200 m Ω
INSULATION RESISTANCE	NOT LESS THAN 100 M Ω
DIELECTRIC STRENGTH	WITHSTAND 1500V AC FOR ONE MINUTE
MAX. PRESSURE	45 bar
AIR TIGHT PRESS.	45 bar
TEST PRESS.	50 bar
MAX. ALLOW. TEMP.	AMBIENT TEMP. -30 ~ 85°C (-22 ~ 185°F) (PED) -30 ~ 100°C (-22 ~ 212°F) (UL) (But no freeze) FLUID TEMP. -54 ~ 135°C (-65 ~ 275°F)
DURABILITY	100,000 TIMES
TÜV APPROVED	EN 12263 DIN 32733 (PSH/PSL 4B061) (4BPSH/PSL059)
UL FILE NO.	E43867, E31024
C-UL FILE NO.	

Checked by	Date	Name	TYPE CB PRESSURE SWITCH	
A. K.	NOV. 13 2015			
Designed by	Scale	Catalog Number	Drawing Number	
M. Y.	1:1	ACB-2UB1391W	N-CB-26035-1	
Drawn by	Code No. :061F 6567			
N. M.				

★CONFIRMATION OF DESIGN VALIDITY
We manufacture the product based on the specifications described in this drawing. Please check the safety and validity in the product design in consideration that the product is conformed to the system or not when using.

NOV. 16, 2015	△	REV. Polyamide resin material and shape
DATE	SIGN	CHANGE CONTENT

