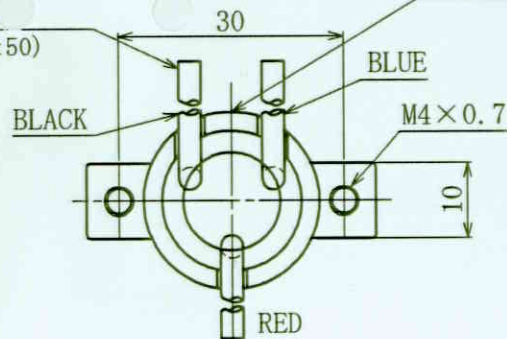


HEAT PROOF ELECTRIC VINYL W.  
UL1015, AWG18, 105°C (L=1000±50)

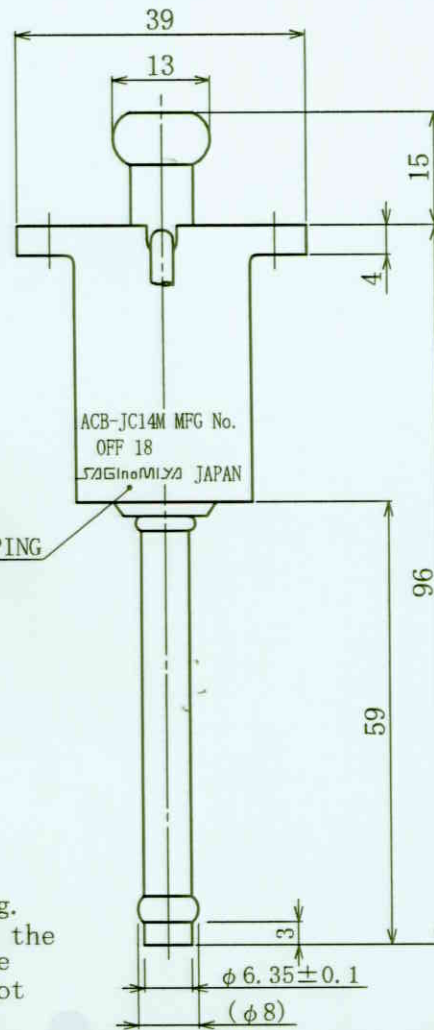


LABEL

PS 35 bar  
TS -30/100°C



AT BRAZING OF PIPES, WRAP  
THE SWITCH BODY WITH WET  
CLOTH AND KEEP THE  
TEMPERATURE OF SWITCH  
BODY UNDER 100°C



1 INK STAMPING

REFERENCE DRAWING



★CONFIRMATION OF DESIGN VALIDITY

We manufacture the product based on the specifications described in this drawing. Please check the safety and validity in the product design in consideration that the product is conformed to the system or not when using.

DATE	SIGN	CHANGE CONTENT
SEP. 03. '02	4	REV. LABEL (TP→TS)
JUN. 12. '02	3	ADD. LABEL & REV. MAX. PRESS.
22. AUG. '01	2	REV. PRESS. SETTING & ADD. NOTE
18. AUG. 1999	1	REV. INK STAMPING

OPERATING PRESS. CHARACTERISTICS.	OPERATING PRESS. SETTING		DIFFERENTIAL			
	OFF	ON				
18 ±1.5	(13) (12)	UNIT: bar	—			
ELECTRICAL RATINGS	RATED VOLTAGE (V)		PF	A	C	DC
	RATED AMPS. (A) <td>Cos φ</td> <td>125</td> <td>250</td> <td>12</td>		Cos φ	125	250	12
	NON-INDUCTIVE AMPS.		1	1~6	1~4	1~4
	INDUCTIVE AMPS.	FULL LOAD AMPS.	0.75	1~6	1~4	—
STARTING AMPS.		0.45	1~24	1~16	—	
TYPE OF CONTACT	M: MANUAL RESET					
CONTACT RESISTANCE	LESS THAN 200 mΩ					
INSULATION RESISTANCE	NOT LESS THAN 100 MΩ AT DC 500V MEGGER					
DIELECTRIC STRENGTH	WITHSTAND 1500V AC FOR ONE MINUTE					
MAX. PRESSURE	35 bar	<del>33 bar</del>				
AIR TIGHT PRESS.	40 bar					
TEST PRESS.	50 bar					
MAX. ALLOW. TEMP.	-30 ~ 70 °C	(But no freeze)				
DURABILITY	10,000 TIMES					

Checked by	Date	Name	
	01. JUL 1999	TYPE CB PRESSURE SWITCH	
Designed by	Scale	Catalog Number	Drawing Number
	1:1	ACB-JC14M	N-CB-70077-4
Drawn by			
<b>SAGINOMIYA SEISAKUSHO, INC.</b>			