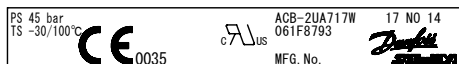


CONNECTOR: AMP 928193-1  
CONTACT: AMP 928930-1

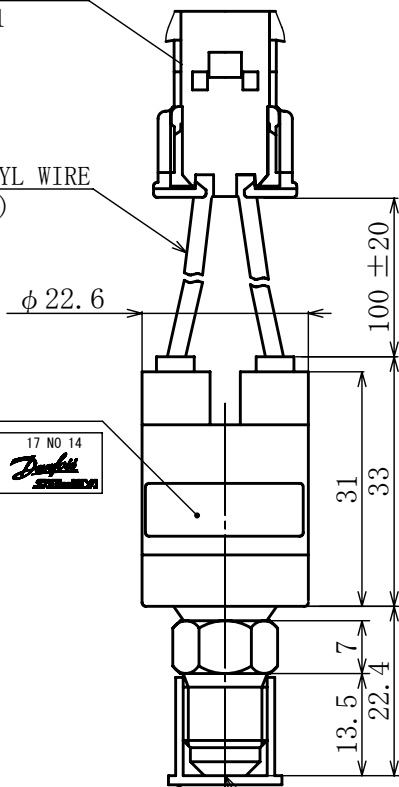
HEAT PROOF ELECTRIC VINYL WIRE  
UL1015, AWG18, 105°C (BLUE)

1 LABEL



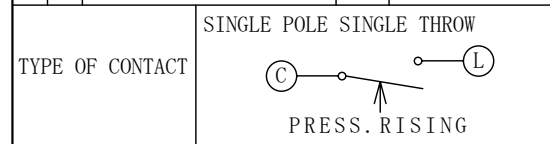
DUST PROOF CAP

HEX. 12  
7/16-20 UNF



OPERATING PRESS. CHARACTERISTICS	OPERATING PRESS. SETTING		DIFFERENTIAL
	UNIT: bar		
	OFF	ON	
	14 ± 1.5	17 ± 1	—

ELECTRICAL RATINGS	PED TYPE	RATED VOLTAGE (V)		A	C
				250	
		RATED AMPS. (A)		1 ~ 6	
		INDUCTIVE AMPS.		1 ~ 6	
UL TYPE		RATED VOLTAGE (V)	PF	A	C
				RATED AMPS. (A)	Cos φ
		FULL LOAD AMPS.		8	
		LOCKED ROTOR		48	



CONTACT RESISTANCE	LESS THAN 200 m Ω
INSULATION RESISTANCE	NOT LESS THAN 100 M Ω
DIELECTRIC STRENGTH	WITHSTAND 1500V AC FOR ONE MINUTE

MAX. PRESSURE	45 bar
AIR TIGHT PRESS.	45 bar
TEST PRESS.	50 bar

MAX. ALLOW. TEMP.	AMBIENT TEMP. -30~100°C (-22~212 °F) (But no freeze) FLUID TEMP. -54~135°C (-65 TO 275 °F)
-------------------	--

DURABILITY	100,000 TIMES
------------	---------------

UL FILE NO.	E43867, E31024
C-UL FILE NO.	

1

Checked by	Date	Name	TYPE CB PRESSURE SWITCH	
M. F.	APR. 29 2008			
Designed by	Scale	Catalog Number	Drawing Number	
A. K.	1:1	ACB-2UA717W	N-CB-23050-1	
Drawn by	Code No. :061F 8793			
N. M.				

★CONFIRMATION OF DESIGN VALIDITY  
We manufacture the product based on the specifications described in this drawing. Please check the safety and validity in the product design in consideration that the product is conformed to the system or not when using.

SEP. 24, 2009	1	DEL. TÜV APPROVED
DATE	SIGN	CHANGE CONTENT

