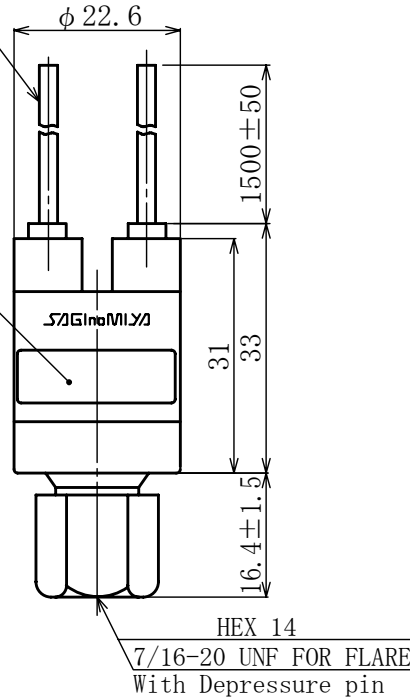
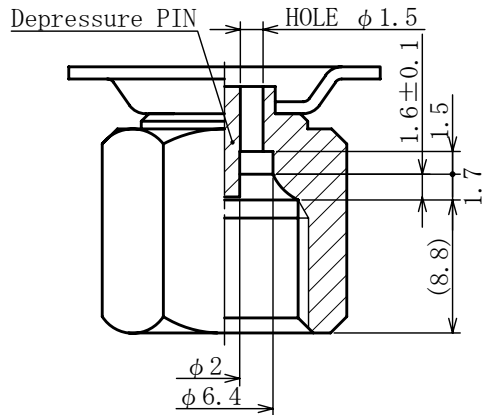
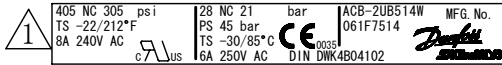


HEAT PROOF ELECTRIC VINYL WIRE
UL1015, AWG18, 105°C (BLACK)



LABEL



(2:1)

★CONFIRMATION OF DESIGN VALIDITY

We manufacture the product based on the specifications described in this drawing. Please check the safety and validity in the product design in consideration that the product is conformed to the system or not when using.

OCT 04, '04		REV. LABEL
DATE	SIGN	CHANGE CONTENT

OPERATING PRESS. CHARACTERISTICS.	OPERATING PRESS. SETTING UNIT: bar {psi}		DIFFERENTIAL
	OFF	ON	
	28±1.0 {405±14}	21±1.5 {305±21}	—
ELECTRICAL RATINGS	RATED VOLTAGE (V)		A C
	RATED AMPS. (A)		250
	INDUCTIVE AMPS.		1~6
TYPE OF CONTACT	SINGLE POLE SINGLE THROW PRESS. RISING		
CONTACT RESISTANCE	LESS THAN 200 m OHM		
INSULATION RESISTANCE	NOT LESS THAN 100 M OHM AT DC 500V MEGGER		
DIELECTRIC STRENGTH	WITHSTAND 1500V AC FOR ONE MINUTE		
MAX. PRESSURE	45 bar {650 psi}		
AIR TIGHT PRESS.	45 bar {650 psi}		
TEST PRESS.	50 bar {725 psi}		
MAX. ALLOW. TEMP.	AMBIENT TEMP. -30 ~ 85deg. (But no freeze) FLUID TEMP. -54 ~ 135deg.		
DURABILITY	100,000 TIMES		
TÜV APPROVED	EN 12263 DIN 32733 (DWK 4B 04102)		
UL FILE NO.	E43867, E31024		
C-UL FILE NO.			

Checked by	Date	Name	TYPE CB PRESSURE SWITCH
T. T.	NOV. 20 2003		
Designed by	Scale	Catalog Number	Drawing Number
	1:1	ACB-2UB514W	N-CB-95014-1
Drawn by	Code No. :061F 7514		
K. H.			

