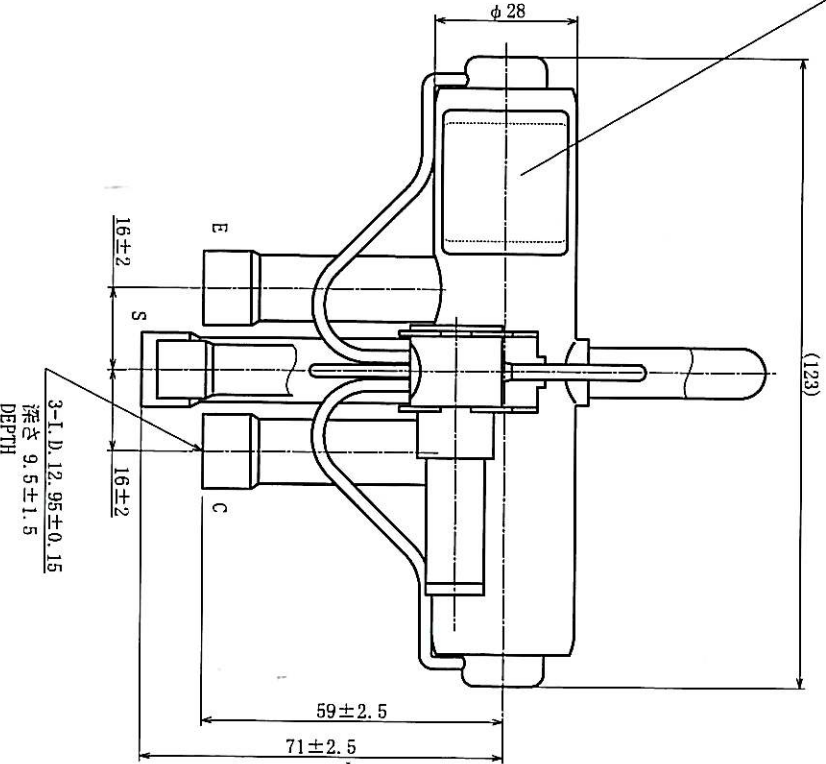
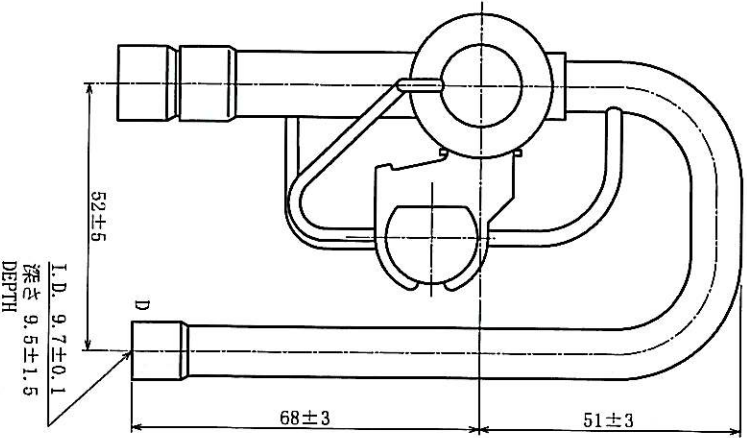


FOR USE IN EUROPE



EXAMPLE
 6 02 6
 YEAR DAY MONTH
 MONTH 1~9 : JAN ~ SEP.
 X : NOVEMBER
 Y : NOVEMBER
 Z : DECEMBER



CONNECTIONS INDICATED BELOW SHOW AT COOLING MODE
 (WHEN COIL IS DE-ENERGIZED)

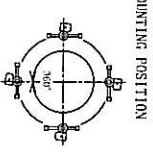
- D CONNECTION : DISCHARGE
- C CONNECTION : CONDENSER
- S CONNECTION : SUCTION
- E CONNECTION : EVAPORATOR

WE MANUFACTURE THE PRODUCT BASED ON THE SPECIFICATIONS DESCRIBED IN THIS DRAWING. PLEASE CHECK THE SAFETY AND VALIDITY IN THE PRODUCT DESIGN IN CONSIDERATION THAT THE PRODUCT IS CONFORMED TO THE SYSTEM OR NOT WHEN USING.

A MAY. 14, 2007 RENEWAL (REVISION OF FLUID DURABILITY CAPACITY etc.) KUMADA

SPECIFICATIONS

WATER TEST PRESSURE	WITH WATER PRESSURE	6.44 MPa (64.4 bar)
AIR/TIGHT TEST PRESSURE	WITH AIR PRESSURE	4.5 MPa (45.0 bar)
MAX. WORKING PRESSURE		4.5 MPa (45.0 bar)
CONNECTION	ILLUSTRATE	
FLUID	R22, R407C, R410A	
PORT SIZE		11.1 mm
VALVE OPERATION		PILOT OPERATED 4-WAY REVERSING VALVE
DURABILITY		40,000 (R22, R407C) OR 20,000 (R410A) TIMES TESTED BY AIR PRESSURE UNDER DISCHARGE PRESSURE 1.47 MPa (14.7 bar) (R22, R407C) OR 2.5 MPa (25 bar) (R410A). SUCTION TUBE OPEN TO ATMOSPHERE AND BODY TEMP. NORMAL TEMPERATURE (LUB. OIL APPLIED DURING THE TEST)
MAX. OPERATING PRESS. DIFFERENTIAL		3.1 MPa (31 bar)
MIN. OPERATING PRESS. DIFFERENTIAL		0.343 MPa (3.43 bar)
VALVE LEAKAGE		1500 cm ³ /min. OR LESS WITH AIR UNDER O.P. D. 1 MPa (10 bar) AND BODY TEMP. NORMAL TEMPERATURE BUT 2000 cm ³ /min. OR LESS AFTER THE DURABILITY TEST.
CAPACITY		R22 R307C : 2.9 ~ 10 kW R410A : 3.2 ~ 11.4 kW
MIN. OPERATING VOLTAGE *1		85% OR LESS OF RATED VOLTAGE AT ΔT ² 2.5 MPa (25 bar)
AMBIENT TEMPERATURE		-20 ~ +55 °C
ALLOWABLE FLUID TEMPERATURE		-20 ~ +120 °C
MAX. ALLOWABLE TEMPERATURE		+120 °C



AVAILABLE TO INSTALL IN ANY POSITIONS WITH THE BODY AXIS VERTICALLY AND THE SOLENOID COIL LOCATED ABOVE THE CENTER OF THE VALVE. 360°

*1 MIN. OPERATING VOLTAGE IS SHOWN IN COIL SPECIFICATION DRAWING

NORDICOLD

Approved by Date	Issue		
JUN. 02, 2006	4-WAY REVERSING VALVE BODY		
Revised by Scale	Ordering Number	Drawing Number	
1:1	STF-0201G3	N-HV-19033-A	
Drawn by SAGINOMIYA SEISAKUSHO, INC.			