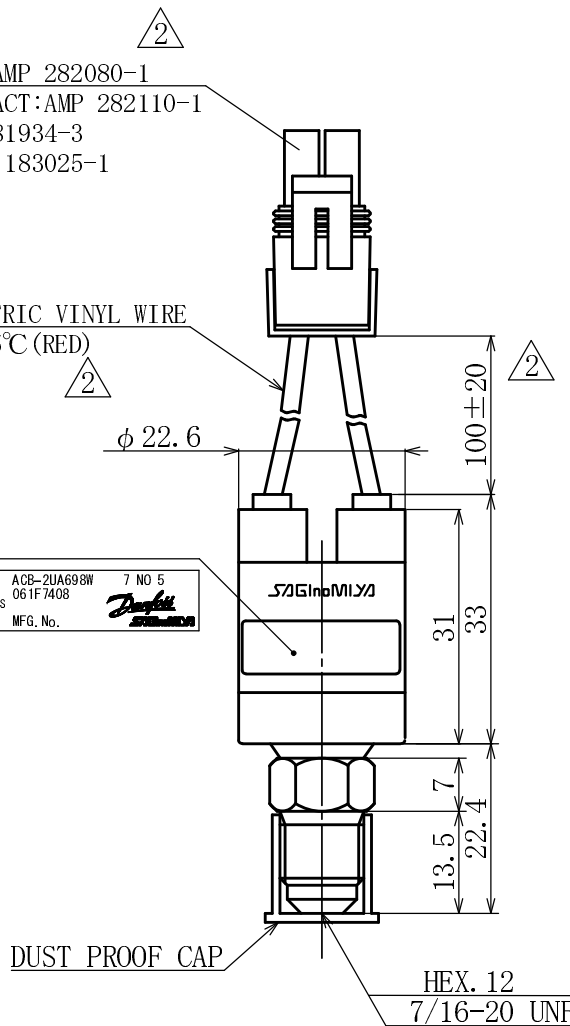


OPERATING PRESSURE CHANGES ACCORDING
TO CHANGE OF AMBIENT TEMP ON WATER
PROOF TYPE

AMBIENT TEMP	-20°C	70°C	100°C
CHANGE OF CHARACTERISTICS	-0.2 bar	+0.25 bar	+0.4 bar

PLUG CONNECTOR:AMP 282080-1
RECEPTACLE CONTACT:AMP 282110-1
WIRE SEAL:AMP 281934-3
LOOSE PIECE:AMP 183025-1

HEAT PROOF ELECTRIC VINYL WIRE
UL1015, AWG18, 105°C (RED)



OPERATING PRESS. CHARACTERISTICS.	OPERATING PRESS. SETTING		DIFFERENTIAL	
	UNIT:bar			
	OFF	ON		
	5±0.7	7±0.7	—	
ELECTRICAL RATINGS	RATED VOLTAGE (V)		A C	
	RATED AMPS. (A)		250	
	INDUCTIVE AMPS.		1~6	
	UL TYPE	RATED VOLTAGE (V)	PF	A C
		RATED AMPS. (A)	Cos ϕ	120 240
	FULL LOAD AMPS.		0.75	8
LOCKED ROTOR		0.45	48	
TYPE OF CONTACT		SINGLE POLE SINGLE THROW		
		<p>PRESS. RISING</p>		
CONTACT RESISTANCE		LESS THAN 200 mΩ		
INSULATION RESISTANCE		NOT LESS THAN 100 MΩ		
DIELECTRIC STRENGTH		WITHSTAND 1500V AC FOR ONE MINUTE		
MAX. PRESSURE		35 bar		
AIR TIGHT PRESS.		35 bar		
TEST PRESS.		40 bar		
MAX. ALLOW. TEMP.		AMBIENT TEMP. -30 ~ 85°C (PED) -30~100°C (-22~212°F) (UL) (But no freeze) FLUID TEMP. -54~135°C (-65 TO 275 F)		
DURABILITY		10,000 TIMES		
TÜV APPROVED		EN 12263 DIN 32733(DWFK 4B 04202)		
UL FILE NO.		E43867, E31024		
C-UL FILE NO.				
Checked by	Date	Name		
M. F.	DEC.04 2007	TYPE CB PRESSURE SWITCH		
Designed by	Scale	Catalog Number	Drawing Number	
J. N.	1:1	ACB-2UA698W	N-CB-24024-2	
Drawn by	Code No. :061F 7408			
N. M.				

★CONFIRMATION OF DESIGN VALIDITY

We manufacture the product based on the specifications described in this drawing. Please check the safety and validity in the product design in consideration that the product is conformed to the system or not when using.

JAN. 29, 2008	2	REV. WIRE LENGTH, COLOR & ADD. CONNECTOR
DEC. 17, 2007	1	REV. TYPE OF CONTACT & Catalog Number
DATE	SIGN	CHANGE CONTENT

