

APPROVALS



ENGINEERING CODE
594RA9012AA

APPROVED REFRIGERANT
R134a

POWER SUPPLY
220 - 240V 50Hz ~

STANDARD CONDITIONS
EN13215_RG20

APPLICATION
M/HBP

COOLING CAPACITY
433 W

EFFICIENCY
1.66 W/W

DATA

General Data

Weight	14.5 Kg
Height	254 mm
Length	435 mm
Width	293 mm
Power Supply	220 - 240 V 50 Hz

Electrical Data

Motor Type	CSIR
Locked Rotor Amperage (LRA)	10.4 A
Max Current	2.13 A

Spare Parts

Condenser	3R9T	2451205
Fan Kit	10W 230/31/5B	1996699
Compressor	EMT6170Z	194RA67..AR
Electrical Kit	ELCOM EMT6170Z	194RA67F0A

Noise Data

Sound Power Level	61.1 dB (A)	-	-
Sound Pressure Level	at 1 m	at 5 m	at 10 m
	53.1 dB (A)	39.1 dB (A)	33.1 dB (A)

Fan Motor

Number	1
Shaft Power	10 W
Air Flow	420 m ³ /h
Blade diameter	230 mm

PERFORMANCE

Rated Points

Ambient Temperature	Cooling Capacity	Power Consumption	Current	Efficiency
32.00°C	433 W	261 W	1.88 A	1.66 W/W

Test Condition EN13215_RG20: Evaporating temp. -10.00°C, Ambient temp. 32.00°C, Return Gas 20 °C, Subcooling 3K

Performance Curve Data

Ambient Temperature 25°C

Evaporating Temperature °C	Cooling Capacity W	Power Consumption W	Current A	Efficiency W/W
-15	365	231	1.8	1.58
-10	461	255	1.86	1.81
-5	561	284	1.94	1.97
0	666	317	2.04	2.1
5	776	354	2.16	2.19
10	894	396	2.3	2.26

Test Condition EN13215_RG20: Evaporating temp. -10.00°C, Ambient temp. 25.00°C, Return Gas 20 °C, Subcooling 3K

Ambient Temperature 32°C

Evaporating Temperature °C	Cooling Capacity W	Power Consumption W	Current A	Efficiency W/W
-15	351	238	1.83	1.48
-10	433	261	1.88	1.66
-5	522	289	1.95	1.8
0	618	322	2.05	1.92
5	722	359	2.17	2.01
10	835	400	2.31	2.09

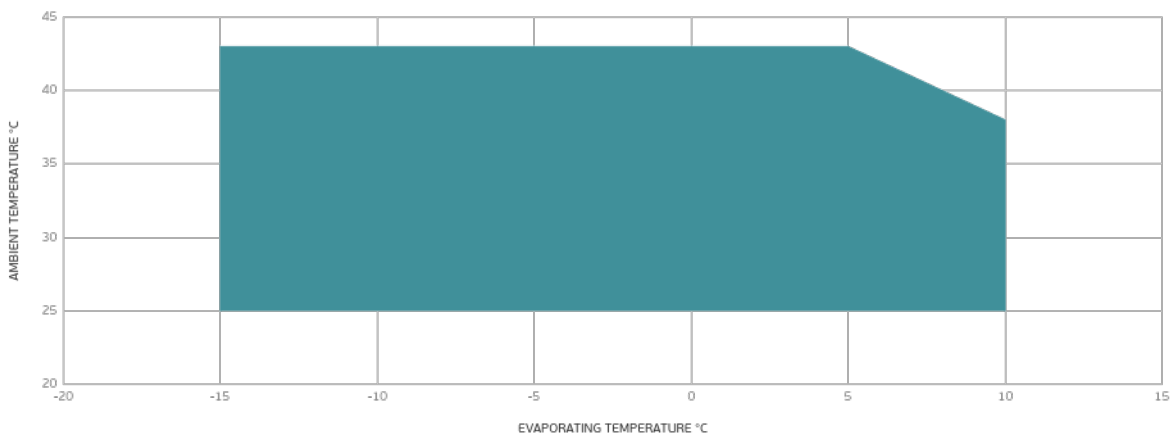
Test Condition EN13215_RG20: Evaporating temp. -10.00°C, Ambient temp. 32.00°C, Return Gas 20 °C, Subcooling 3K

Ambient Temperature 43°C

Evaporating Temperature °C	Cooling Capacity W	Power Consumption W	Current A	Efficiency W/W
-15	284	247	1.83	1.15
-10	350	273	1.89	1.28
-5	426	305	1.98	1.4
0	512	341	2.1	1.5
5	610	382	2.24	1.6
10	720	427	2.4	1.69

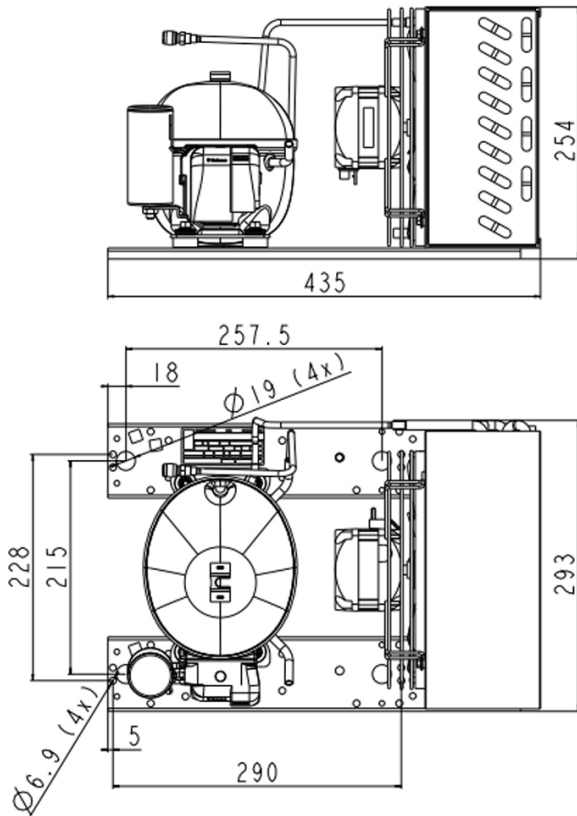
Test Condition EN13215_RG20: Evaporating temp. -10.00°C, Ambient temp. 43.00°C, Return Gas 20 °C, Subcooling 3K

Operating Envelope



■ OPERATING CONDITION

External Dimensions



Wiring Diagram

