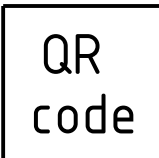
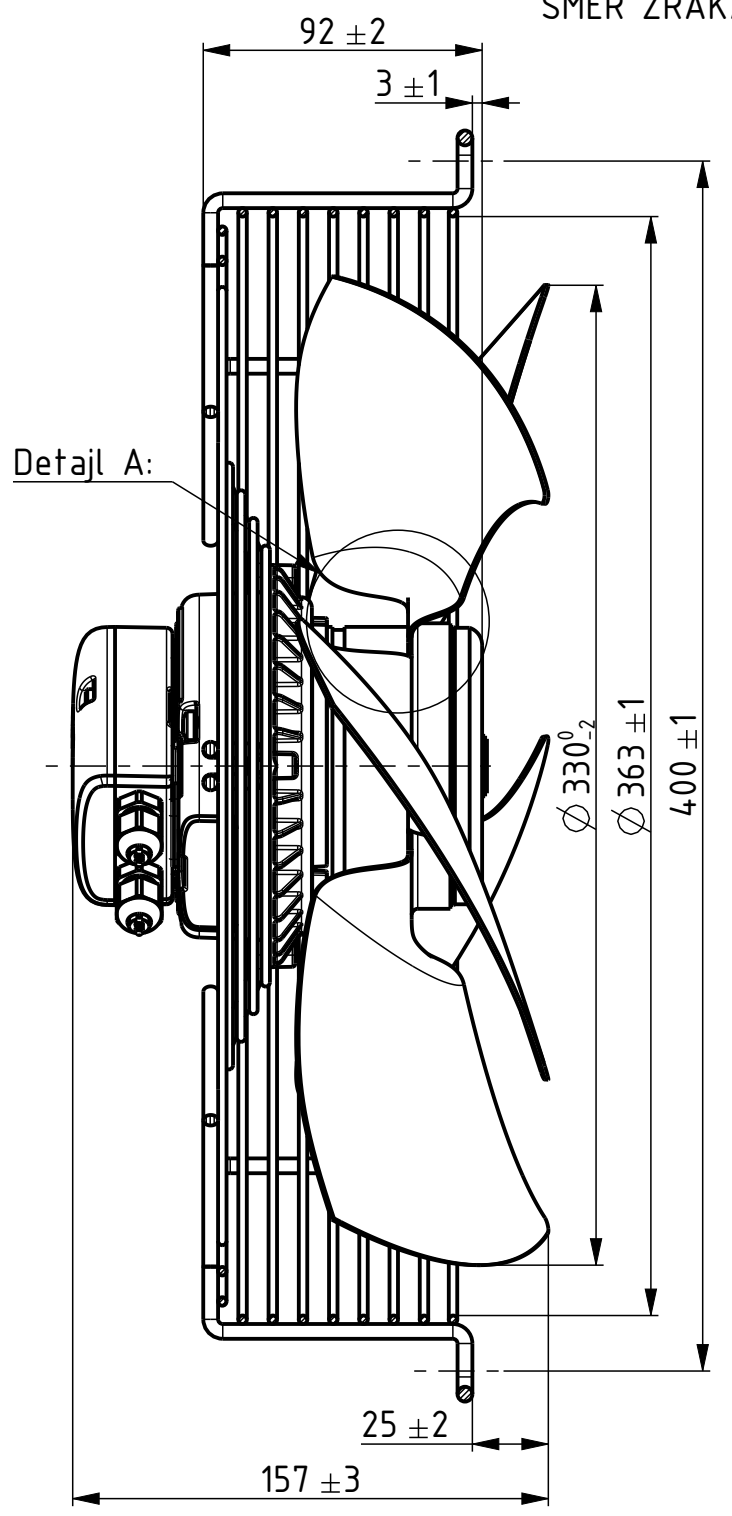


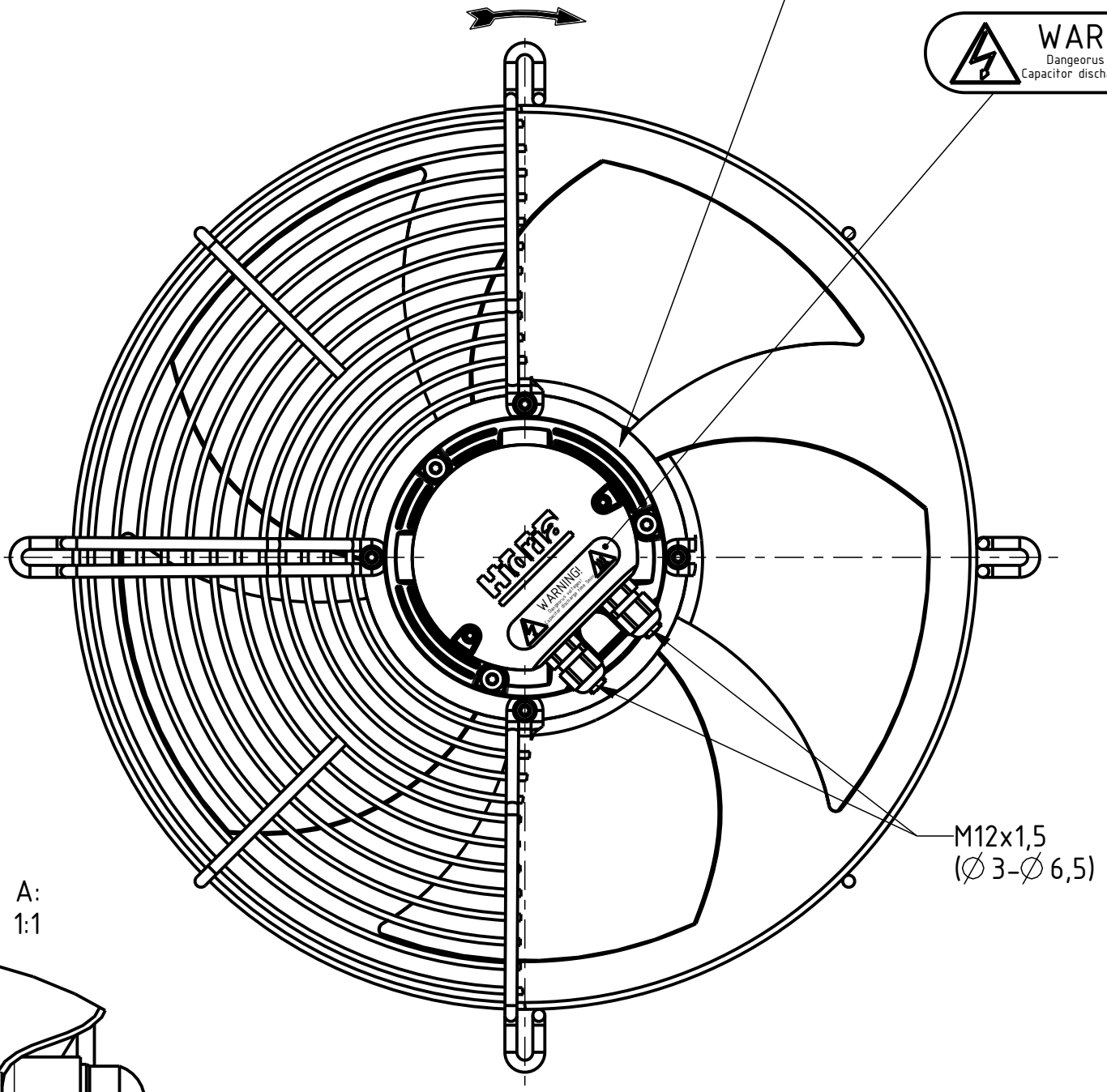
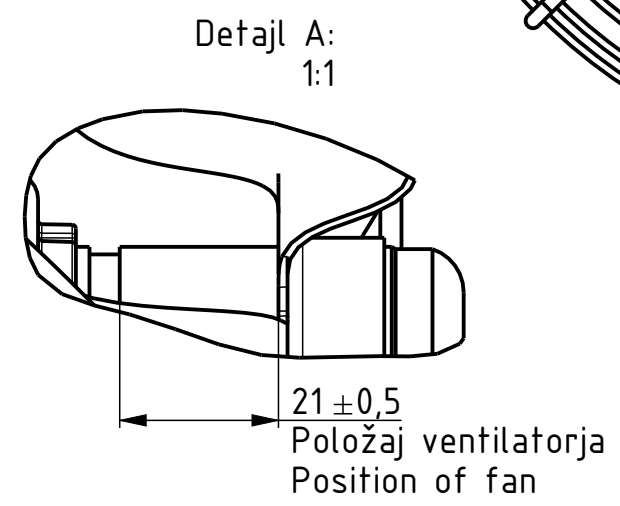
**Hidria** Hidria d.o.o. SI-5281 Spodnja Idrija **CE** DATE 0309-4-3053  
 R09R-3330HS-ES25B-04B06  
 max.load 1~200-240V 50-60Hz 1,22-1,05A 135W 1550RPM IP54  
 Ins.Cl.130 max.amb.60°C Th.Prot. Class I. m=3,5kg  
 ErP: Effes=47,9% (A,static) N=59,9 VSD integrated ROT.



SUCKING  
 AIRFLOW DIRECTION  
 SMER ZRAKA



Detajl A:



Priključna shema 0302-0-0008  
 Connection diagram 0302-0-0008  
 Podatki za nastavljanje in kontrolo motorja z ventilatorjem 0302-4-2025  
 Fan setting and control data 0302-4-2025

AA	AA	Prva izdaja / First edition. Risba v Windchillu je skladna z risbo v arhivu.	18.07.2019	Uroš K.
Verzija Artikla: Article revision:	Verzija risbe: DRW Revision:	Opis spremembe: Description of change:	Datum: Date:	Izdelal: Produced:
KONSTRUIRAL / DRN:	18.07.2019	Uroš Kunc	<b>VENTILATOR</b> <b>R09R-3330HS-ES25B-04B06</b>	
ODOBRIL / APP:	19.07.2019	Mitja Gnezda		
Potrjeno/Approved		KODA MATERIALA MATERIAL CODE	MASA: MASS:	KODA: CODE:
<b>Hidria</b>		NETOL. MERE/UNTOL DIM: ISO 2768-m	DZJ	0309-4-3053 0309-4-3053
		MERIL/FORMAT 2:5/A3		VERZIJA ARTIKLA: REVISION ARTICLE:
				AA
				AA 1/1

All drawings, regardless of form, are owned by Hidria d.o.o. and are strictly confidential and present copyright. Intellectual Property Rights as follows of patents, petty patents, design patents and registered designs, copyrights, trade secret rights, and similar exclusive rights in industrial property connected with the drawings are reserved by Hidria Rotomatika d.o.o.. Disclosure to any third party is strictly forbidden.