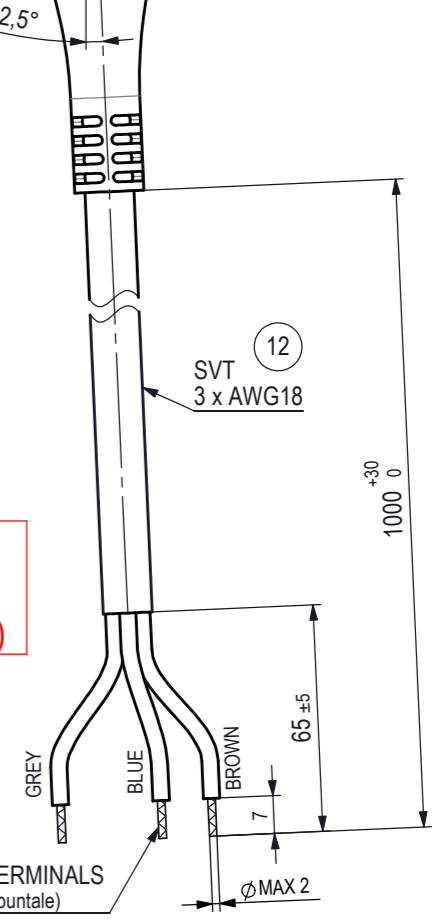


PAY ATTENTION:
PRINT MANUFACTURER ADDRESS
see ISTR.028

MOD. ECM HBS 12-10-2 R	BROWN
CODE EFA12100AC2030E	BLUE
230V ~ 50-60Hz Cl.B	GREY
14W 0,12A IP65	REVERSE
1400 Rpm 9Wout	
E.P. + TOP	
DATE	
II 3G Ex ec IIA T5 Gc	
Warning: Don't un-plug when energized Don't open when energized	

REVERSIBLE MOTOR
(Motore Reversibile)



PEREMPTORY

Running test after the complete assembly, cable included
Eseguire il collaudo ad assemblaggio completo, cavo incluso

CLASS "B" MOTOR - BALL BEARINGS MANUFACTURED (Motore in classe "B" - Esecuzione a Cuscinetti)	
ELECTRONIC BOARD (Scheda elettronica)	HBS - R - 1400Rpm
PLASTIC BODY (Corpo in plastica)	-
PLASTIC BACK COVER (Fondello in plastica)	-
PLASTIC FAN BLADE HUB (Portaventola in plastica)	-
ASSEMBLING SPECIFICATION (Normativa di Assemblaggio)	EL.UN.0098
OPERATING INSTRUCTIONS	OI-ECM/04
ONLY MOTOR - ELECTRICAL SPECIFICATION (Solo Motore - Prescrizione controllo elettrico)	M.2298/19
MOTOR WITH FAN BLADE SUGGESTED for SPEED TEST- ELECTRICAL SPECIFICATION (Motore con ventola suggerita per Test di velocità - Prescrizione controllo elettrico)	F.2298/19A

Rel.	Date	Description	Executor signature	Checked
MODIFICATIONS				

For dimension without tolerance see standard UNI EN 22768-mK	Treatment	A3		
Material	Material			
	Drawn M.Cazzaniga	MOTOR ECM 12 230V HBS-P A		
	Date 14-03-19			Weight gr.
	Check			Ref. No R.S.19/0039 DP.2966
Scale ---	230V 50/60Hz - 1400Rpm		EFA12100AC2030E	
ATEX Rules				