

# Globe valve

with bellow seal

AT 1050D

<b>Dimension range</b> DN 15-250	<b>PN</b> 40	<b>Temperature range</b> -10 °C to 400 °C	<b>Material</b> Steel
-------------------------------------	-----------------	--	--------------------------

## Range of application

As a shut-off valve for non-aggressive fluids, gases and steam.

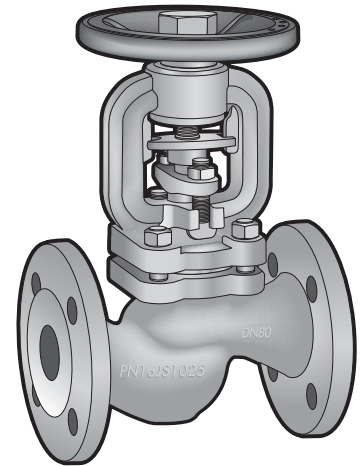
## Quality assurance

Pressurized parts are manufactured in a foundry, which is generally approved by all recognized classification authorities.

Certificate SS-EN10204, type 2.2 and 3.1, as well as by most classification authorities (type of certificate is to be stated upon ordering). Testing carried out in accordance with DIN EN 12266.

## CE-marking

The valves meet the requirements in AFS 2016:1 and 2014/68/EU (Pressure Equipment Directive).



AT 1050D

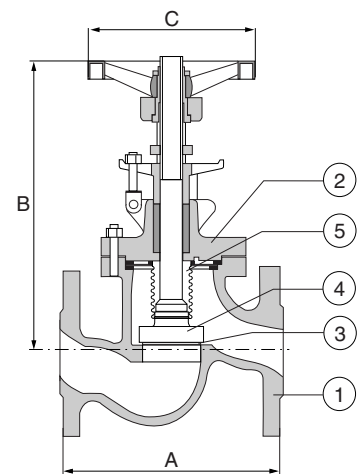
## Material specification

Pos	Component	Material
1	Body	Steel 1.0619
2	Bonnet	Steel 1.0619
3	Seat	Stainless steel 1.4021
4	Cone	Stainless steel 1.4021
5	Bellow	Stainless steel 1.4301

## Dimensions and weight

DN	15	20	25	32	40	50	65	80	100	125	150	200
<b>A</b>	130	150	160	180	200	230	290	310	350	400	480	600
<b>B</b>	208	208	217	215	235	235	252	270	347	380	420	570
<b>C</b>	120	140	140	140	160	160	180	200	250	250	360	450
<b>Weight</b>	4,4	4,9	5,8	7,4	9,4	12,2	17,3	23,4	40,4	58	83,8	133

Dimension in mm, weight in kg



## Function and design

With bellows that prevents the media from coming in contact with the stuffing box. This eliminates the risk of leakage from the stuffing box.

- Maintenance-free
- External stem thread
- Position indicator, open/closed
- Non-rising handwheel

## Technical information

### Pressure and temperature

According to DIN EN 1092-1, with the following maximum values:

Working pressure max. bar	Working temperature max. °C
35	200
28	300
21	400

### Pressure Drop

To calculate the pressure drop the following values are used:

D	1	2											
N	5	0	25	32	40	50	65	80	100	125	150	200	250
K <sub>v</sub>	4,	7,	11,	18,	29,	44,	73,	112,	173,	290,	412,	702,	1020,
s	7	4	2	3	3	2	2	2	0	0	0	0	0

### Difference Pressure

For differential pressure greater than stated below, a bypass should be used in order to facilitate maneuvering and obtain a good seat tightness.

DN	125	150
Δp bar	24	17

### Accessories and options

Larger dimensions are available on request

### Installation

#### Connections

Flanges acc. to
DIN EN 1092-1

Can be mounted in any position except with handwheel pointing downwards.

Vibrating pipe systems should be avoided.

The system has to be flushed clean before startup.

### Marking

Manufacturer, DN, PN, CE, material and flow arrow.

### How to order

<b>Example: AT 1050D50</b>	
<b>AT 1050D</b>	<b>50</b>
Fig. nr.	DN
RSK-number, see the RSK-register.	