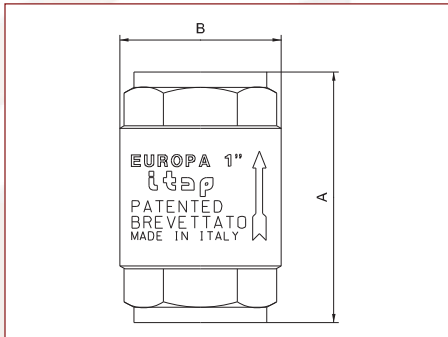


100

EUROPA® check valve



Suitable for domestic water services, heating and air-conditioning plants, compressed air systems. It can be installed in any position: vertical, horizontal, oblique



Body in brass.
Plate in stainless steel.
Seal in NBR.
Pin in brass.
Spring in stainless steel.
Minimum and maximum working temperatures: -20°C, 100°C.
Threads: ISO228 (equivalent to DIN EN ISO 228 AND BS EN ISO 228).

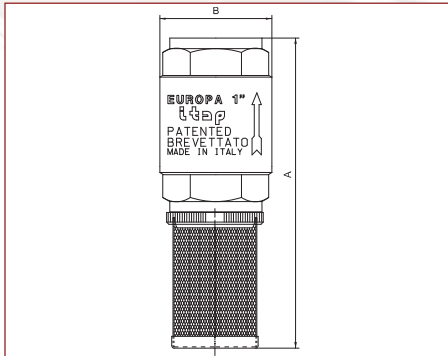
SIZE	3/8"	1/2"	3/4"	1"	1 1/4"	1 1/2"	2"	2 1/2"	3"	4"
A (mm)	55	58.5	65	74.5	83	93	101	122	141.5	158.5
B (mm)	34.5	34.5	41.5	48	60.5	71	87	120	140	172.5
WORKING PRESSURE Kg/cm2 bar	25	25	25	25	18	18	18	12	12	12
WORKING PRESSURE psi	360	360	360	360	260	260	260	170	170	170

105

EUROPA® foot valve



Suitable for domestic water services, heating and air-conditioning plants, compressed air systems. It can be installed in any position: vertical, horizontal, oblique



Body in brass.
Plate in stainless steel.
Seal in NBR.
Pin in brass.
Spring in stainless steel.
Strainer in nylon and stainless steel.
Filtration degree:
-3/8" through 2": 1200µm
-2" through 4": 2000 µm
Minimum and maximum working temperatures: -20°C, 100°C.
Threads: ISO228 (equivalent to DIN EN ISO 228 AND BS EN ISO 228).

SIZE	3/8"	1/2"	3/4"	1"	1 1/4"	1 1/2"	2"	2 1/2"	3"	4"
A (mm)	90	97.5	114	132.5	147	165	187	230	264.5	296
B (mm)	34.5	34.5	41.5	48	60.5	71	87	120	140	172.5
WORKING PRESSURE Kg/cm2 bar	25	25	25	25	18	18	18	12	12	12
WORKING PRESSURE psi	360	360	360	360	260	260	260	170	170	170

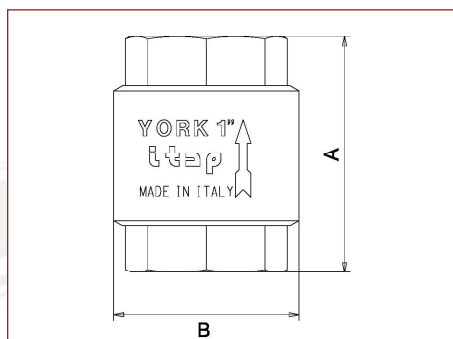
ART. 100-105



103

YORK® check valve

Suitable for domestic water services, heating and air-conditioning plants, compressed air systems. It can be installed in any position: vertical, horizontal, oblique



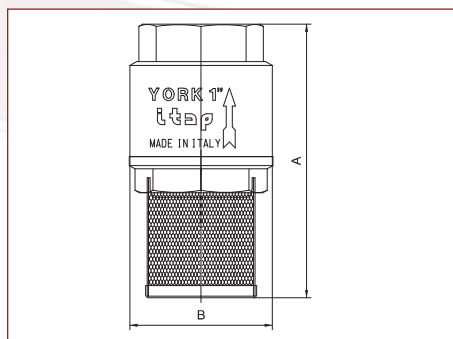
Body in brass.
Plate in nylon.
Seal in NBR.
Spring in stainless steel.
Minimum and maximum working temperatures: -20°C, 100°C.
Threads: ISO228 (equivalent to DIN EN ISO 228 AND BS EN ISO 228).

SIZE	3/8"	1/2"	3/4"	1"	1"1/4	1"1/2	2"	2"1/2	3"	4"
A (mm)	46.5	47	53	60.5	66.5	74	80	98	103	118.5
B (mm)	34.5	34.5	42	47.5	59.5	70.5	86	102	125	154
WORKING PRESSURE Kg/cm2 bar	12	12	12	12	10	10	10	8	8	8
WORKING PRESSURE psi	170	170	170	170	140	140	140	110	110	110

108

YORK® foot valve

Suitable for domestic water services, heating and air-conditioning plants, compressed air systems. It can be installed in any position: vertical, horizontal, oblique



Body in brass.
Plate in nylon.
Seal in NBR.
Spring in stainless steel.
Strainer in nylon and stainless steel.
Filtration degree:
-3/8" through 2": 1200µm
-2" through 4": 2000µm
Minimum and maximum working temperatures: -20°C, 100°C.
Threads: ISO228 (equivalent to DIN EN ISO 228 AND BS EN ISO 228).

SIZE	3/8"	1/2"	3/4"	1"	1"1/4	1"1/2	2"	2"1/2	3"	4"
A (mm)	69.5	69.5	82	91.5	108	119	136.5	164.5	184.5	214.5
B (mm)	34.5	34.5	42	47.5	59.5	70.5	86	102	125	154
WORKING PRESSURE Kg/cm2 bar	10	10	10	10	8	8	8	6	6	6
WORKING PRESSURE psi	140	140	140	140	110	110	110	90	90	90



ART. 103-108

ART. 103

