



Product information

High-quality fully-sealed butterfly valve with a duplex disc and a fixed vulcanized EPDM rubber lining. Full-LUG design. Also suitable for vacuum and as an end valve with a hand lever, worm gear or actuator.

Dimension range (DN)	50 - 2200
PN	10 - 16
Temperature (°C)	-20 - 110
Material	Rubber, Ductile iron

Area of use

For shut-off and regulation. Hot and cold water:

EPDM rubber: Hot water, air, neutral gases, certain diluted inorganic acids, certain alcohols (max 30%)

EPDM high temp: Cold and hot water with an extended temperature range, -30°C to 130°C.

Tender text

PSB.2 Rotary butterfly valves

Butterfly valve AT 2316, with valve body made of ductile iron and in-house vulcanized EPDM liner, as well as a disc made of acid-resistant duplex steel. The disc is in full-lug design and suitable as an end valve.

AT 231xS with lever standard up to DN150,

AT 231xV with gearbox standard from DN200.

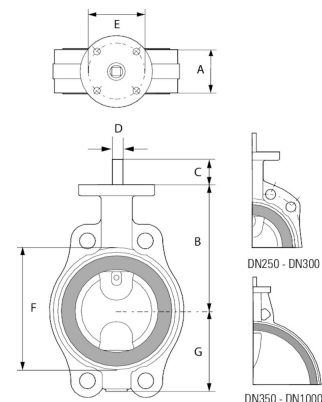
Quality assurance

PED 2014/68/EU, AFS 2016:1

The product is CE marked

Product marking: Brand, DN, PN, material according to SS-EN 28.

Pos	Component	Material
-----	-----------	----------



Measurements and weight

Dimension range (DN): 50 - 2200

DN	65	100	125	150	200	250	300	350	400	450
A	46	52	56	56	60	68	78	78	102	114
B	126	147	160	180	204	245	270	315	363	388
C	71	98	109	133	158	194	219	236	308	334

Function and design

Fully tight maintenance-free butterfly valve with a centrally located disc, split spindle, and a completely housed body with in-house vulcanized rubber lining that eliminates the risk of gap corrosion, protects the valve body internally against corrosion, and serves as a flange gasket. The manufacturing process ensures excellent sealing and increased lifespan as wear of the lining is eliminated. The profile of the disc is crucial to achieving good flow characteristics, which ultimately leads to minimizing energy losses. The valve is tight regardless of the flow direction.

Valve body with SEMI-LUG mounting ears for one-sided installation

AT 2310 and AT 2311 are equipped with mounting ears up to DN 300. Hole pattern according to PN16 up to DN 200 and PN10 for DN250-300.

AT 2312, AT 2313, and AT 2314 are equipped with mounting ears up to DN 200.

This design ensures that the valve maintains its sealing function even with one-sided flange mounting, for example, as an end valve.

The disc and shafts are connected with one or more strong tapered pins.

Butterfly valve AT 2310-11 DN 50-200 is delivered as standard with a high spindle neck for over-insulation. Construction length according to SS-EN 558

Top flange according to ISO 5211.

Standard surface treatment class C3 according to ISO 12944.

For outdoor installation where there are significant amounts of air pollution or moderate amounts of salt, such as in industrial and coastal areas, without rain protection, class C4 is recommended.

Technical data

Material: Rubber, Ductile iron

Material code: Ductile iron GJS-400-15 (GGG40), EPDM (ethylene propylene diene monomer rubber)

Temperature (°C): -20 - 110

PN: 10 - 16

Connection: Flanged EN1092

ETIM classification: EC010910 - Butterfly valve

BK04 code: 20706 Single-leaf dampers

Product colour: RAL 2000 - Yellow orange

Installation and maintenance

Flowdirection: Bi-directional

Possible mounting position: Vertical, Horizontal

Possible mounting position notes: "Mounting with a horizontal spindle axis is optimal."

The valve is intended to be mounted between flanges, without gaskets, and where possible with the shafts in a horizontal position. Avoid mounting the valve with the shaft downwards. In the case of one-sided mounting, bolts and nuts should not be tightened with a higher torque than specified in the table in the relevant standard. The valve should be operated regularly to avoid the accumulation of dirt that can lead to leakage.

Please feel free to contact us

We answer your questions by e-mail and telephone. No question is too small, no challenge is too big. You are always welcome at Armatec.

info@armatec.se | +46 31 89 01 00 | www.armatec.se

THE COMPANY'S MANAGEMENT SYSTEM
IS CERTIFIED BY DNV
ISO 9001 • ISO 14001