

Product information

Full bore, PN 16, compression fittings and steel handles. Ball valve made of dezincification-resistant lead-free brass (less than 0.1%). Graphite packing. Suitable for hot and cold water supply, cooling systems, air and neutral gases.

PN	16
Temperature (°C)	0 - 150
Material	Brass



Area of use

Shut-off valve intended for installation in piping systems made of galvanized steel or copper where compression couplings are used. Suitable for hot and cold tap water, heating and cooling systems, -10°C to +110°C, PN 16. For air, neutral gases and flammable liquids, maximum working pressure PN 16. Silicone-free. PN40 for ≤DN50 (Max 40bar empty +95°C, max 25bar at +150°C) PN25 for ≥DN65 (Max 25bar empty +95°C, max 16bar at +150°C) Suitable for water from 0°C to 150°C. Suitable for air from -10°C to 150°C. Can be used down to -30°C in cooling systems with glycol-based media.

Tender text

PSB.1 Ball valves

Viridi ball valve AT 3713 in dezincification-resistant lead-free brass (lead content below 0.1%). With full flow, compression fittings, and steel handle. PN 16. Graphite packing and teflon-coated ball. Viridi ball valve AT 3713 is approved for installation where requirements from the Building Assessment and Healthy House have been set.

Quality assurance

AFS 2016:1, 8 paragraf

The Viridivent valves may be used for liquids and gases in group 2 according to AFS 2016:1. The Viridivent valves are covered by AFS 2016:1, 8§, the directive for pressure equipment (PED 3.3) and therefore may not be CE marked. The Viridi range is made of alloys that are covered by the "4MS Common Composition List" which includes materials and products approved for use in contact with drinking water.

Product marking: Brand, PN and DN.

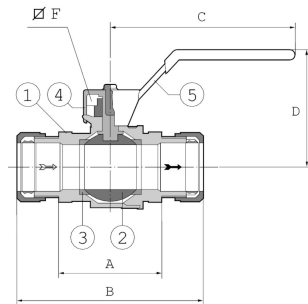
Energy and environment declaration

Product Bvb: Accepted

Product BVB ID: 126778

SundaHus: C-

DN	10	15	20	25
A	70	76.5	88	102.5
B	39	54	58	67
C	81	91.5	126.5	126.5



Function and design

AT 3713 has a so-called "blow-out safe" spindle. 3713 has a construction length according to SS 1129 in dimensions 12-54. AT 3714 has a high spindle neck. Suitable for installation where the valve needs to be over-insulated. The valves have full flow-through and are equipped with a tighten-able packing box.

Technical data

Material: Brass

Material code: Brass (CuZn38As) (CW511L, Pb<0,1%)

Included materials: Brass, Steel, Other

Included material code: Brass (CuZn38As) (CW511L, Pb<0,1%), PTFE (polytetrafluoroethylene)

Temperature (°C): 0 - 150

Temperature notes: PN40 for ≤DN50 (Max 40bar up to +95°C, max 25bar at +150°C) PN25 for ≥DN65 (Max 25bar up to +95°C, max 16bar at +150°C). Suitable for water from 0°C to 150°C. Suitable for air from -10°C to 150°C. Can be used down to -30°C in cooling systems with glycol-based media.

PN: 16

Connection: Olive & Nut

ETIM classification: EC011343 - Ball valve

BK04 code: 20702 Ball valves

Comment to colour: Natural colour, untreated.

Installation and maintenance

Flowdirection: Bi-directional

Possible mounting position: Vertical, Horizontal

Copper pipes, thin-walled steel pipes, and PEX pipes. The installation is time-saving and very simple: Insert the pipe into the bottom of the coupling. Tighten the nut by hand. Tighten with a tool (not a pipe wrench) 1-1.5 turns. When installing on PEX pipes, tighten 2 turns. The force required for tightening is adapted to the type and size of the pipe to be installed. The double-sealing clamp grips the pipe and provides an absolutely tight joint. Thanks to the annealed clamp, the coupling can be disassembled and reassembled repeatedly. Remember to always use a support sleeve when joining soft copper and steel pipes as well as PEX pipes. Stress corrosion may occur in some cases when using a compression coupling. This risk is particularly present in connection with ammonia. For example, when using certain cleaning agents, in animal stalls (urine), etc. To avoid stress corrosion, it is recommended to loosen the coupling nut immediately after tightening and then tighten it lightly again. This reduces the high stresses that occur during the first tightening. For best function, the valve should be operated at least 2 times per year.

Please feel free to contact us

We answer your questions by e-mail and telephone. No question is too small, no challenge is too big. You are always welcome at Armatec.

info@armatec.se | +46 31 89 01 00 | www.armatec.se

THE COMPANY'S MANAGEMENT SYSTEM
IS CERTIFIED BY DNV
ISO 9001 • ISO 14001