

Product information

A gate valve made of grey iron with flanges and mounting flanges for actuators. Suitable for automation. Primarily for use with water, compressed air, and non-aggressive gases.

Dimension range (DN)	15 - 200
----------------------	----------

PN	16
----	----

Temperature (°C)	-10 - 200
------------------	-----------

Material	Cast iron
----------	-----------



Area of use

Shut-off valve for the following media:

- Cold and hot water
- Non-aggressive gases
- Compressed air

Tender text

PSB.1 Ball valves

Ball valve AT 3587, DN..., in a two-piece design with full bore, with a housing made of grey iron and seat rings made of PTFE. PN 16.

Quality assurance

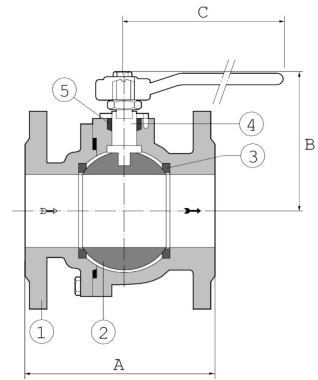
AFS 2016:1

Product marking: Brand, DN, PN and material.

Energy and environment declaration

SundaHus: C-

Pos	Component	Material
-----	-----------	----------



Measurements and weight

Dimension range (DN): 15 - 200

DN	A	B	C	D
15	115	108	160	50
20	120	113	160	55
25	125	118	160	60
32	130	130	160	72
40	140	135	200	77
50	150	138	200	80
65	170	156	250	98
80	180	167	250	108.5
100	190	170	320	134
125	325	195	500	160
150	350	225	500	190
200	400	270	500	235

Function and design

Two-piece ball valve with full bore. Mounting flange according to ISO 5211 for actuators.

Technical data

Material: Cast iron

Material code: Cast iron GJL-200 (GG20)

Included materials: Cast iron, Stainless steel, Rubber, Other

Included material code: Stainless steel 304 (1.4301), Cast iron GJL-200 (GG20), FPM/FKM (fluorine rubber), PTFE (polytetrafluoroethylene)

Temperature (°C): -10 - 200

PN: 16

Connection: Flanged EN1092

ETIM classification: EC011343 - Ball valve

BK04 code: 20702 Ball valves

Installation and maintenance

Flowdirection: Bi-directional

Possible mounting position: Vertical, Horizontal

AT 3587 DN 15-200, Flanges according to EN1092-PN 16. The valve should be operated regularly to avoid the accumulation of dirt that can lead to leakage.

Please feel free to contact us

We answer your questions by e-mail and telephone. No question is too small, no challenge is too big. You are always welcome at Armatec.

info@armatec.se | +46 31 89 01 00 | www.armatec.se

THE COMPANY'S MANAGEMENT SYSTEM
IS CERTIFIED BY DNV
ISO 9001 • ISO 14001