

Product information

Steel ball valve with flanges and mounting flange for actuators. Suitable for automation. For mainly acids and salt solutions, gas, steam, hot and cold water.

Dimension range (DN)	15 - 300
----------------------	----------

PN	16 - 40
----	---------

Temperature (°C)	-29 - 200
------------------	-----------

Material	Steel
----------	-------



Area of use

Shut-off valve with the following division mainly:
Hot and cold water and compressed air
Steam
LPG, natural gas and petroleum products

Tender text

PSB.1 Ball valves

Two-part flanged ball valve in steel AT 3585..., with full bore, flanged connection, and handle made of cast iron.

Quality assurance

PED 2014/68/EU, AFS 2016:1

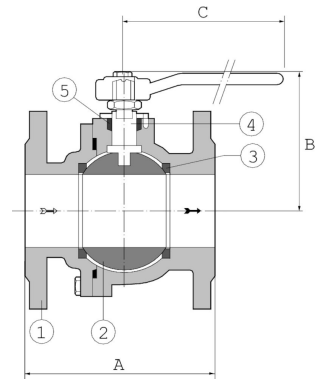
The product is CE marked

Product marking: Brand, DN, PN and material.

Energy and environment declaration

SundaHus: C-

Pos	Component	Material
-----	-----------	----------



Measurements and weight

Dimension range (DN): 15 - 300

DN	A	B	C	D
15	115	95	160	
20	120	98	160	
25	125	112	160	
32	130	163	213	
40	140	176	213	
50	150	186	213	
65	170	203	300	
80	180	216	300	
100	190	215	465	
125	325	240	715	
150	350	279	774	
200	400	307	845	
250	450			

Function and design

Two-piece ball valve with full bore in firesafe design. Floating homogeneous ball with relief for tight shut-off and low pressure drop. Antistatic designed blow-out proof spindle according to BS 5351 prevents the spindle from being pushed out during pressure surges. Mounting flange according to ISO 5211 for actuator. Double graded from DN 200.

Technical data

Material: Steel

Material code: Steel GP240GH N (1.0619)

Included materials: Stainless steel, Steel, Other

Included material code: Acid resistant stainless steel 316 (1.4408), Steel GP240GH N (1.0619), PTFE (polytetrafluoroethylene)

Temperature (°C): -29 - 200

PN: 16 - 40

Connection: Flanged EN1092

ETIM classification: EC011343 - Ball valve

BK04 code: 20702 Ball valves

Installation and maintenance

Flowdirection: Bi-directional

Possible mounting position: Vertical, Horizontal

3585 DN 15-150 Flanges according to PN40.

3585 DN 200-300 Flanges according to PN16.

The valve should be regularly operated to avoid the accumulation of dirt that can lead to leakage.

Please feel free to contact us

We answer your questions by e-mail and telephone. No question is too small, no challenge is too big. You are always welcome at Armatec.

info@armatec.se | +46 31 89 01 00 | www.armatec.se

THE COMPANY'S MANAGEMENT SYSTEM
IS CERTIFIED BY DNV
ISO 9001 • ISO 14001