

Ball Valve

Full bore

AT 3582, 3585

Internet_Variants

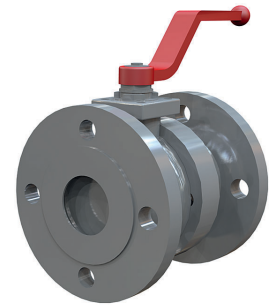
Dimension range	PN	Temperature range	Material
DN 15-300	16-40	-50°C to +200°C -20°C till + 200°C	Stainless steel Steel

Range of Application

As shut-off valve mainly for:

- Acids and saline solutions
- Gas and steam
- Warm and cold water

Valve of stainless steel AT 3582	Valve of steel AT 3585
Acids and saline solutions Solvents and alcohols LPG, natural gases and petroleum products	Warm and cold water, compressed air Saturated steam max 6 bar (e) LPG, natural gases and petroleum products



AT 3582

PSB.1 Ball valve

Fully welded ball valve in stainless steel AT 3582... , with full bore, flanged connection and a lever of nodular iron.

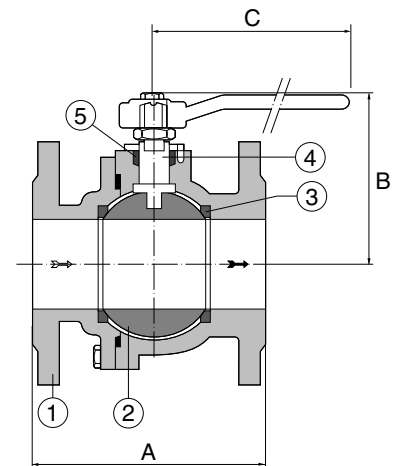
Fully welded ball valve in steel AT 3585... , with full bore, flanged connection and a lever of nodular iron.

Quality Assurance

Testing is carried out according to ISO 5208. Leakage class A applies to this type of valve. The valve is approved according to TA-Luft. Certificate according to EN 10204, type 2.2 and 3.1, has to be specified when ordering.

CE-marking

The valves meets the requirements of the PED, AFS 2016:1, the directive for pressure devices, according to category III, fluid group 1 and 2. Dimensions up to DN 25 fulfills § 8 of the PED, AFS 2016:1.



Material Specification

Component	AT 3582	AT3585
1 Body	Stainless steel 1.4408	Steel 1.0619
2 Ball	Stainless steel 1.4408	Stainless steel 1.4408
	Stainless steel 1.4401	Stainless steel 1.4401
	DN 15-32	DN 15-32
	DN 40-300	DN 40-300
3 Seat ring	PTFE	PTFE
4 Stem	Stainless steel 1.4408	Stainless steel 1.4408
5 Stem gasket	PTFE	PTFE

Ball Valve

Full bore

AT 3582, 3585

Dimension and Weight

DN	15	20	25	32	40	50	65	80	100	125	150	200	250	300
A	115	120	125	130	140	150	170	180	190	325	350	400	450	500
B	95	98	112	163	176	186	203	216	215	240	279	307	345	389
C	160	160	160	213	213	213	300	300	465	715	774	845	**	**
Weight	2,6	3,5	4,2	6,6	8,7	11,4	15,9	22	35	56,6	78	136	242	319

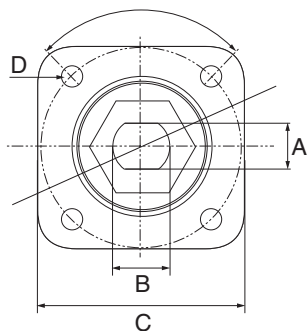
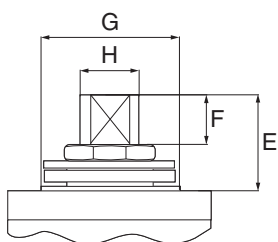
Measurements in mm, weight in kg.

** With gear.

Actuator mounting, measurements

DN	15	20	25	32	40	50	65	80	100	125	150	200
A	9	9	9	12	13	13	16	18	20	25	29	32
C	50	50	50	50	70	70	70	102	102	125	125	140
D	M6	M6	M6	M6	M8	M8	M8	M10	M10	M12	M12	M16
E	11,5	15	24	32	39,5	41,5	44	44,5	56,5	56	56	70
F	5,7	9,2	10,2	12,2	16,2	18,2	18,1	18,7	28,5	27,6	35,2	36
G Ø	35	35	35	35	55	55	55	70	70	85	85	100

Measurements in mm.



Function and Design

Two-piece, full-bore ball valve in fire-safe design.

With floating ball for tight shut-off and low pressure drop.

The antistatic and blow-out safe stem according to BS 5351 prevents the stem to blow out at pressure surges.

Mounting flange according to ISO 5211 for actuators is standard. DN 200 and above have double bearings.

AT 3580, the construction length is according to the SSG 1041, 1042.

Technical Information

Fig. no.	DN	Working pressure max. bar	Working temperature max. °C
AT 3582	15-100	40	200
AT 3582	125-300	16	200
AT 3585	15-150	40	260
AT 3585	200-300	16	260

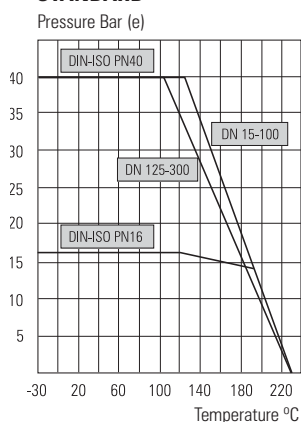
Pressure and temperature acc. to current standards.

Ball Valve

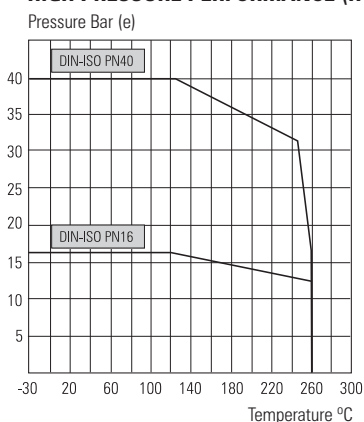
Full bore

AT 3582, 3585

STANDARD



HIGH PRESSURE PERFORMANCE (HT)



Torque in non pressurised condition and Kvs

DN	15	20	25	32	40	50	65	80	100	125	150	200	250	300
Nm	8	10	15	22	25	40	55	85	130	180	250	340	1100	1400
Kvs	20	40	75	130	170	270	550	1000	1650	3000	4200	9000	15000	20800

Accessories and Options

The valves can be provided with different types of actuators and limit switches (please read separate data sheet for more information AT 3830, AT 3831, AT3840, AT3841, AT3900)

The valves can also be provided with switches, stem extensions, and in high pressure performance. Construction length according to ANSI B16.10 and with flanges drilled according to ANSI Class 150, 300 and 600.

Installation

Fig. no.	Connection
AT 3582 DN 15-100 AT 3585 DN 15-150	Flanges acc. to PN40
AT 3582 DN 125-300 AT 3585 DN 200-300	Flanges acc. to PN16

Maintenance and Spare parts

A full set of spare parts, including seat ring, stem gaskets and body gasket, AT 3586-1 is available and can be ordered.

Marking

Manufacturer, DN, PN and material.

Ball Valve

Full bore

AT 3582, 3585

How to order

Example: AT 3582-15

AT 35	82	-	15
Fig. no.	Material 82 = Stainless steel, length according to DIN 85 = Steel	Additional art. code - = Standard HT = High temperature	DN