

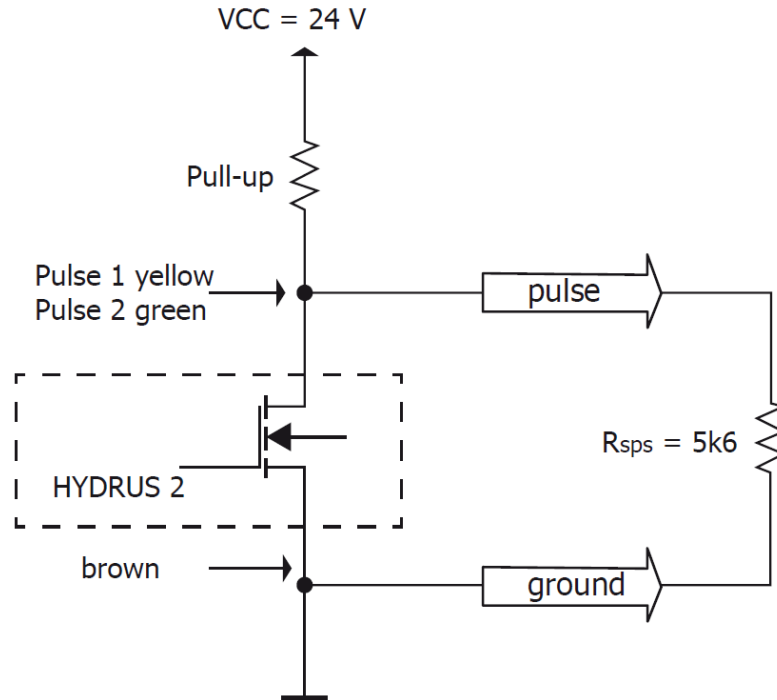
Kopplingschema AT 7450B

Puls/M-bus

Pulse outputs (open collector)

Input voltage	max. 30 V
Input current	max. 27 mA
Voltage drop at the active output	max. 2 V / 27 mA
Current through inactive output	max. 5 μ A / 30 V
Reverse current	max. 27 mA
Pulse duration, pulse break, pulse frequency	depending on device configuration (detailed description on request)

Wiring diagram



The pulse outputs are open-drain circuits. The drain branch has a resistance of just 0 ohm, there is no internal current limiting. If required, this must be provided by an external protective resistance (* if not available on sight). The internal resistance of the switching device must be 5x of the protective resistance.

Cable pin assignment

	AT 7450B (M-Bus / Pulse / Pulse)
M-Bus	Two-wire M-Bus cable with polarity reversal protection, 1.5 m long
Pulse, Output 1	10 L/P
Pulse, Output 2	100 L/P
Connection (network name)	
GND	Brown
Pulse 1	Yellow
Pulse 2	Green
M-Bus 1	White
M-Bus 2	Blue
Number of wires	5



Never connect the external M-bus to the pulse output of the meter! It will destroy the pulse output and lead to the loss of all factory warranty claims.

Radio specifications

Sending intervals	Every 14 ... 256 seconds (variable, according to 0.1 duty cycle (min. 14 seconds); depending on protocol length and programming)
434 MHz frequency band	Transmission power (EN 300 220-2 V3.2.1): 10 mW e.r.p.
868 MHz frequency band	Transmission power (EN 300 220-2 V3.2.1): 25 mW e.r.p.