

 PRESTERA™

Product information

RELAUNCH! Our loyal servant for 50 years has come in a new design. The AT 2316B butterfly valve is a high-quality valve that is perfect for shutting off and regulating hot and cold water, glycol-mixed water, vacuum, and neutral gases. It is made of cast iron and has vulcanized lining, which provides a long product life cycle. The valve has low torque and low pressure drop. The disc is made of duplex stainless steel. The EPDM rubber used in the valve is suitable for hot water, air, neutral gases, some diluted inorganic acids, and some alcohols (max 30%). The connection is flanged according to EN1092. Choose the AT 2316B butterfly valve for reliable and efficient operation.

Dimension range (DN)	40 - 600
PN	16
Temperature (°C)	-20 - 110
Main material	Ductile iron

Area of use

This product is of the highest quality and is designed to withstand pressure class PN16 and temperatures ranging from -20 to 110 °C. It is developed to fit within the dimension range (DN, liters) from 40 to 600. With this product, you can be sure that you are getting a reliable and robust solution for your needs.

For shut-off and regulation of hot and cold water:

- Heating and cooling systems
- Water-glycol mixtures
- Water with some oil content
- Saltwater, brackish water
- Vacuum
- Neutral gases

EPDM rubber: Hot water, air, neutral gases, some diluted inorganic acids, some alcohols (max 30%)

Tender text

PSB.2 Rotary butterfly valves

Butterfly valve AT 2316B, with a cast iron body and a fixed vulcanized EPDM liner in the body, as well as a duplex stainless steel disc.

AT 2316BS with lever standard up to DN150,

AT 2316BV with gearbox standard from DN150.

Quality assurance

PED 2014/68/EU, AFS 2016:1

The product is CE marked

Product marking: Model, DN, Flange, Housing Material, Seat Material, Disc Material, PS, TS, PT, Test Date, Serial Number, Standard, and AT Number.

Energy and environment declaration

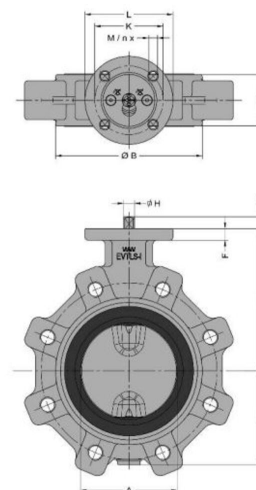
Reach date: 6/14/2023 12:00:00 AM

Pos	Component	Material
-----	-----------	----------

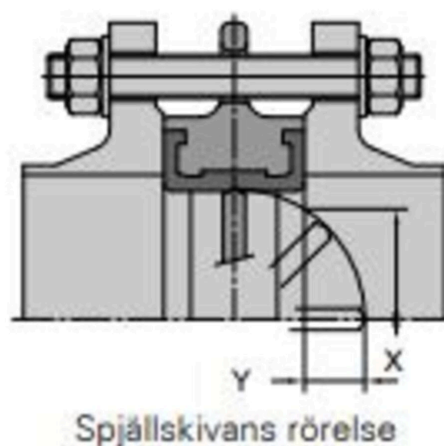
Measurements and weight

Dimension range (DN): 40 - 600

Item number	A	B	C	G	H
2316BS40	33	113	58	34	10
2316BS50	43	118	63	34	10
2316BS65	46	126	71	34	10
2316BS80	46	133	78	34	10
2316BS100	52	147	98	34	12
2316BS125	56	160	109	34	12
2316BS150	56	180	133	34	16
2316BV150	52	180	133	16	14
2316BV200	56	204	158	19	17
2316B-200-PN10	56	204	158	19	17
2316BV250	56	245	194	24	22
2316BV300	78	270	219	24	22
2316BV350	78	315	236	24	22
2316BV400	102	363	305	28	27
2316BV450	114	388	330	28	27
2316BV500	127	460	373	37	36
2316BV600	154	510	423	37	36



DN	X	Y
40	24	4
50	27	4
65	47	10
80	67	18
100	87	25
125	113	35
150	140	48
200	191	70
250	242	92
300	289	111



Function and design

Fully sealed maintenance-free butterfly valve with a centrally located disc, split spindle, and a completely housed body with in-house vulcanized rubber lining that eliminates the risk of gap corrosion, protects the valve body internally against corrosion, and serves as a flange gasket. The manufacturing process ensures excellent sealing and increased lifespan as wear of the lining is eliminated. The profile of the disc is crucial to achieving good flow characteristics, which ultimately leads to minimizing energy losses. The valve is tight regardless of flow direction.

The valve body is in full-lug design with threaded holes. Hole pattern according to PN16. Construction length according to SS-EN 558, series 20. Top flange according to ISO 5211.

Standard surface treatment class C3 according to ISO 12944. For outdoor installation where there are significant amounts of air pollution or moderate amounts of salt, such as in industrial and coastal areas, without rain protection, class C4 is recommended.

Technical data

Main material: Ductile iron

Main material code: Ductile iron GJS-400-15 (GGG40)

Included materials: Ductile iron, Stainless steel, Rubber

Included material code: Stainless steel duplex (1.4462), EPDM (ethylene propylene diene monomer rubber), Ductile iron GJS-400-15 (GGG40)

Temperature (°C): -20 - 110

PN: 16

Connection: Flanged EN1092

ETIM classification: EC010910 - Butterfly valve

BK04 code: 20706 Single-leaf dampers

Product colour: RAL 2000 - Yellow orange

Item number	KVS	Connection according to ISO 5211	Stem type	Stem measurements
2316BS40	95	F07	Parallel square	10x10mm
2316BS50	95	F07	Parallel square	10x10mm

Item number	KVS	Connection according to ISO 5211	Stem type	Stem measurments
2316BS65	231	F07	Parallel square	10x10mm
2316BS80	491	F07	Parallel square	10x10mm
2316BS100	690	F07	Parallel square	12x12mm
2316BS125	1450	F07	Parallel square	12x12mm
2316BS150	1945	F07	Parallel square	16x16mm
2316BV150	1945	F07	Parallel square	14x14mm
2316BV200	4095	F07	Parallel square	17x17mm
2316B-200-PN10		F07	Parallel square	
2316BV250	6085	F10	Parallel square	22x22mm
2316BV300	9570	F10	Parallel square	22x22mm
2316BV350	13500		Parallel square	22x22mm
2316BV400	16350	F14	Parallel square	27x27mm
2316BV450	21550	F14	Parallel square	27x27mm
2316BV500	27700	F16	Parallel square	36x36mm
2316BV600	37200	F16	Parallel square	36x36mm

Installation and maintenance

Flowdirection: Bi-directional

Possible mounting position: Vertical, Horizontal

Possible mounting position notes: The stem should not be mounted so that it is pointing downwards as this may cause leakage.

The valve is intended to be mounted between flanges, without gaskets, and where possible with the shafts in a horizontal position, avoid mounting the valve with the shaft downwards. In case of unilateral mounting, bolts and nuts shall not be tightened with a higher torque than specified in the table of the relevant standard. The valve should be exercised regularly to avoid the accumulation of dirt that can lead to leakage.

Please feel free to contact us

We answer your questions by e-mail and telephone. No question is too small, no challenge is too big. You are always welcome at Armatec.

info@armatec.se | +46 31 89 01 00 | www.armatec.se

THE COMPANY'S MANAGEMENT SYSTEM
IS CERTIFIED BY DNV
ISO 9001 • ISO 14001