

## Product information

A gate valve made of grey iron with flanges and mounting flanges for actuators. Suitable for automation. Primarily for use with water, compressed air, and non-aggressive gases.

Dimension range (DN)	15 - 200
PN	16
Temperature (°C)	-10 - 180
Main material	Cast iron



## Area of use

Shut-off valve for the following media:

- Cold and hot water
- Non-aggressive gases
- Compressed air

## Tender text

### **PSB.1 Ball valves**

Ball valve AT 3587, DN..., in a two-piece design with full bore, with a housing made of grey iron and seat rings made of PTFE. PN 16.

## Quality assurance

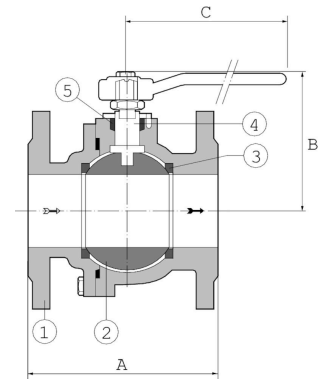
AFS 2016:1

**Product marking:** Brand, DN, PN and material.

## Energy and environment declaration

**SundaHus:** C-

Pos	Component	Material
-----	-----------	----------



## Measurements and weight

**Dimension range (DN):** 15 - 200

DN	A	B	C	D	Net weight (kg)
15	115	108	160	50	2.12
20	120	113	160	55	2.72
25	125	118	160	60	3.62
32	130	130	160	72	5.32
40	140	135	200	77	6.9
50	150	138	200	80	9
65	170	156	250	98	11.68
80	180	167	250	108.5	14.68
100	190	170	320	134	20.23
125	325	195	500	160	33.73
150	350	225	500	190	49.77
200	400	270	500	235	81.77

## Function and design

Two-piece ball valve with full bore. Mounting flange according to ISO 5211 for actuators.

## Technical data

**Main material:** Cast iron

**Main material code:** Cast iron GJL-200 (GG20)

**Included materials:** Cast iron, Stainless steel, Rubber, Other

**Included material code:** Stainless steel AISI 304 (1.4301), Cast iron GJL-200 (GG20), FPM/FKM (fluorine rubber), PTFE (polytetrafluoroethylene)

**Temperature (°C):** -10 - 180

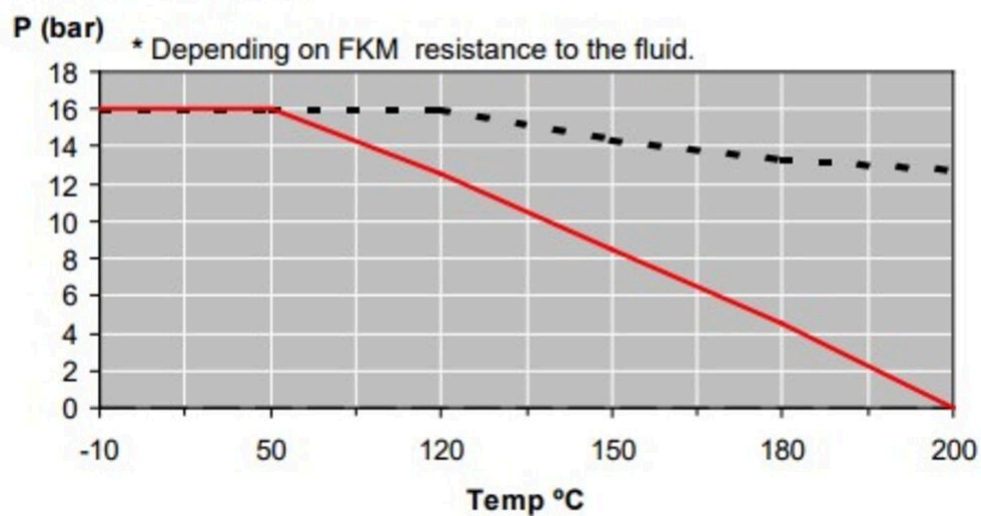
**PN:** 16

**Connection:** Flanged EN1092

**ETIM classification:** EC011343 - Ball valve

**BK04 code:** 20702 Ball valves

**Pressure-Temperature**



Item number	KVS	Required torque (Nm)	Connection according to ISO 5211	Stem type	PN
3587-15	37.4	6	F04	Flat head	16
3587-20	74.8	6	F04	Flat head	16
3587-25	11	11	F04	Flat head	16
3587-32	176	12	F04	Flat head	16

Item number	KVS	Required torque (Nm)	Connection according to ISO 5211	Stem type	PN
3587-40	223	26	F04	Flat head	16
3587-50	416	41	F04	Flat head	16
3587-65	660	41	F07	Flat head	16
3587-80	1200	80		Flat head	16
3587-100	1980	119	F07	Flat head	16
3587-125	3600	190	F07	Flat head	16
3587-150	5040	220	F10	Flat head	16
3587V150	5040	220	F10	Flat head	16
3587-200	10890	450	F10	Flat head	16
3587V200	10890	450	F10	Flat head	16

## Installation and maintenance

**Flowdirection:** Bi-directional

**Possible mounting position:** Vertical, Horizontal

AT 3587 DN 15-200, Flanges according to EN1092-PN 16. The valve should be operated regularly to avoid the accumulation of dirt that can lead to leakage.

Please feel free to contact us

We answer your questions by e-mail and telephone. No question is too small, no challenge is too big. You are always welcome at Armatec.

[info@armatec.se](mailto:info@armatec.se) | +46 31 89 01 00 | [www.armatec.se](http://www.armatec.se)

THE COMPANY'S MANAGEMENT SYSTEM  
IS CERTIFIED BY DNV  
ISO 9001 • ISO 14001