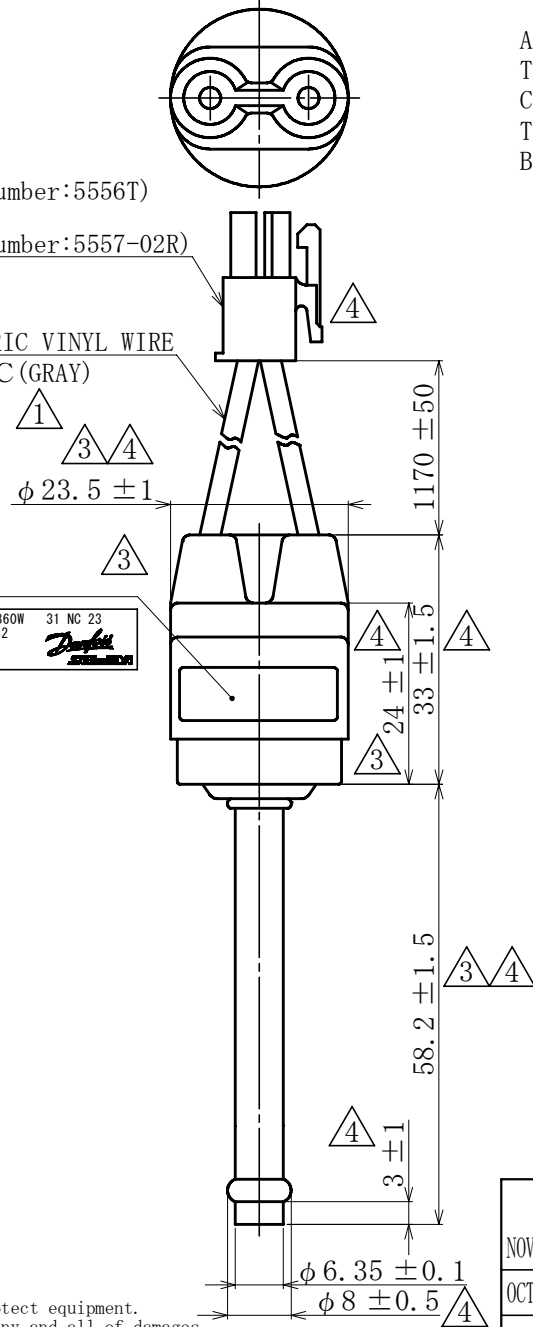




Contact
MOLEX 39000038 (OLD number:5556T)
Housing
MOLEX 39012020 (OLD number:5557-02R)

HEAT PROOF ELECTRIC VINYL WIRE
UL1015, AWG18, 105°C (GRAY)

LABEL



AT BRAZING OF PIPES, WRAP
THE SWITCH BODY WITH WET
CLOTH AND KEEP THE
TEMPERATURE OF SWITCH
BODY UNDER 100°C

OPERATING PRESS. CHARACTERISTICS.	OPERATING PRESS. SETTING		DIFFERENTIAL		
	UNIT: bar				
	OFF	O N			
	31 ± 0.7	23 ± 1.0	—		
ELECTRICAL RATINGS	PED TYPE	RATED VOLTAGE (V)		A C	D C
		RATED AMPS. (A)		250	30
UL TYPE		INDUCTIVE AMPS. (AC) NON-INDUCTIVE AMPS. (DC)		0.001~0.075	
		RATED VOLTAGE (V)		D C	
		RATED AMPS. (A)	PF Cos φ	30	
		FULL LOAD AMPS.	0.75	0.075	
		LOCKED ROTOR	0.45	—	
TYPE OF CONTACT		SINGLE POLE SINGLE THROW			
		PRESS. RISING			
CONTACT RESISTANCE		LESS THAN 200 mΩ			
INSULATION RESISTANCE		NOT LESS THAN 100 MΩ AT DC 500V MEGGER			
DIELECTRIC STRENGTH		WITHSTAND 1500V AC FOR ONE MINUTE			
MAX. PRESSURE		45 bar			
AIR TIGHT PRESS.		45 bar			
TEST PRESS.		50 bar			
MAX. ALLOW. TEMP.		AMBIENT TEMP. -30~85°C [-22~185°F] (But no freeze) FLUID TEMP. -54~135°C [-65 ~ 275°F]			
DURABILITY		100,000 TIMES			
TÜV APPROVED		EN 12263			
UL FILE NO. C-UL FILE NO.		E43867, E31024			
REFRIGERANT		R290 (propane)			

★CONFIRMATION OF DESIGN VALIDITY

We manufacture the product based on the specifications described in this drawing.
Please check the safety and validity in the product design in consideration that the product is conformed to the system or not when using.

★DISCLAIMER

In case this product is used for flammable refrigerant, the components are not designed and constructed as explosion-protect equipment. Danfoss Saginomiya shall be held harmless and indemnified from any and all of damages, caused by non-complaint of the following notices.
1. Before using this product, please be sure to check the separate sheet "Important Notice for usage of Danfoss Saginomiya components with Flammable Refrigerants (DS-TEC-01-1)"
2. Make sure not to install the product at touchable position and to avoid any of the mechanical impact from outside. And the product, received such a mechanical impact even just one time, shall not be employed in the unit.

NOV. 22, 2022		ADD. REFRIGERANT, DISCLAIMER, Dimensions tolerance, Connector number, REV. AMBIENT TEMP., Review of notation ERROR CORRECTION (Connector orientation)
OCT. 06, 2015		REV. Polyamide resin material and shape, Dimensions review
JUL. 05, 2010		ADD. NON-INDUCTIVE AMPS. (DC) & REV. DIN Registration number
MAY. 13, 2008		REV. WIRE COLOR
DATE	SIGN	CHANGE CONTENT

Checked by	Date	Name	TYPE CB PRESSURE SWITCH	
S. M.	MAY. 14 2007			
Designed by	Scale	Catalog Number	Drawing Number	
M. Y.	1:1	ACB-4UB60W	N-CB-22918-4	
Drawn by	Code No. : 061F 8682			
N. M.				

