



Product information

High quality valve made of ductile iron with duplex stainless steel disc and has a vulcanised lining for a long product life cycle. The EPDM rubber used in the valve is suitable for hot water, salt water, ammonia water, air, neutral gases, some diluted inorganic acids and some alcohols (max 30%). The connection is flanged according to EN1092. The valve has low torque and low pressure drop. Choose Butterfly Valve AT 2313B for reliable and efficient operation.

Dimension range (DN)	40 - 800
PN	16
Temperature (°C)	-20 - 110
Main material	Ductile iron

Area of use

This product is of the highest quality and is designed to withstand pressure class PN16 and temperatures ranging from -20 to 110 °C. It is developed to fit within the dimensional range (DN, liters) from 40 to 600. With this product, you can be sure that you are getting a reliable and robust solution for your needs.

For shut-off and regulation of:

- Hot and cold water:
- Heating and cooling systems
- Water-glycol mixtures
- Water with some oil content
- Saltwater, brackish water
- Vacuum
- Neutral gases

EPDM rubber: Hot water, air, neutral gases, some diluted inorganic acids, some alcohols (max 30%).

Tender text

PSB.2 Rotary butterfly valves

Butterfly valve AT 2313B, with a cast iron body and a fixed vulcanized EPDM liner in the body, as well as a duplex stainless steel disc.

AT 2313BS with lever standard up to DN150,

AT 2313BV with gearbox standard from DN150.

Quality assurance

PED 2014/68/EU, AFS 2016:1

The product is CE marked

Product marking: Model, DN, Flange, Bodymaterial, Seat material, Disc material, PS, TS, PT, date of test, serialnumber, standard and AT-number

Energy and environment declaration

Reach date: 6/14/2023 12:00:00 AM

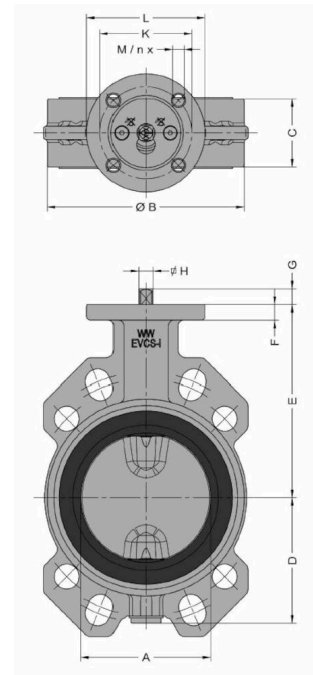
List of details

Pos	Component	Material
-----	-----------	----------

Measurements and weight

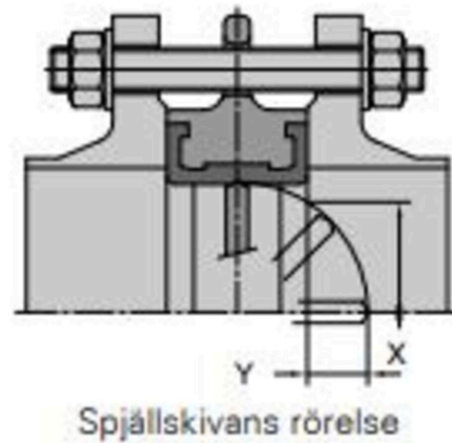
Dimension range (DN): 40 - 800

Item number	A	B	C	D	E	F	Net weight (kg)
2313BS40	33	86	58	12	34		3
2313BV40	33	86	58	12			3.1
2313BS50	43	100	63	12	34		4
2313BV50	43	100	63	12			4.1
2313BS65	46	115	71	12	34		5
2313BV65	46	115	71	12			5.1
2313BS80	46	130	78	12	34		5
2313BV80	46	130	78	12			5.1
2313BS100	52	150	98	12	34		6
2313BV100	52	150	98	12	12		6.1
2313BS125	56	182	109	12	34		9
2313BV125	56	182	109	12	16		9.1
2313BS150	56	210	133	14	34		10
2313BV150	56	210	133	14			10.2
2313BV200	60	262	158	14			15.2
2313BV250	68	315	194	15			24.85
2313BV300	78	371	219	15			36.85
2313BV350	78				24		43



Item number	A	B	C	D	E	F	Net weight (kg)
2313BV400	102	363	305		28	27	73
2313BV450	114	388	330		28	27	86
2313BV500	127	460	373		37	36	125
2313BV600	154	510	423		37	36	170
2313B-40	33	86	58	12			2
2313B-50	43	100	63	12			3
2313B-65	46	115	71	12			4
2313B-80	46	130	78	12			4
2313B-100	52	150	98	12			5
2313B-125	56	182	109	12			8
2313B-150	56	210	133	14			9
2313B-200	60	262	158	14			14
2313B-250	68	315	194	15			23
2313B-300	78	371	219	15			35

DN	X	Y
40	24	4
50	27	4
65	47	10
80	67	18
100	87	25
125	113	35
150	140	48
200	191	70
250	242	92
300	289	111



Function and design

Fully sealed maintenance-free butterfly valve with a centrally located disc, split spindle, and a completely housed body with in-house vulcanized rubber lining that eliminates the risk of gap corrosion, protects the valve body internally against corrosion, and serves as a flange gasket. The manufacturing process ensures excellent sealing and increased lifespan as wear of the lining is eliminated. The profile of the disc is crucial to achieving good flow characteristics, which ultimately leads to minimizing energy losses. The valve is tight regardless of the flow direction.

Valve body with semi-LUG mounting ears for one-sided installation. AT 2313B is equipped with mounting ears up to DN 350. Hole pattern DN40-DN350 fits flanges PN6/PN10/PN16 and CL150. Construction length according to SS-EN 558, series 20. Top flange according to ISO 5211.

Standard surface treatment class C3 according to ISO 12944.

For outdoor installation where there are significant amounts of air pollution or moderate amounts of salt, such as in industrial and coastal areas, without rain protection, class C4 is recommended.

Technical data

Main material: Ductile iron

Main material code: Ductile iron GJS-400-15 (GGG40)

Included materials: Ductile iron, Stainless steel, Rubber

Included material code: Stainless steel (1.4470), EPDM (ethylene propylene diene monomer rubber), Ductile iron GJS-400-15 (GGG40)

Temperature (°C): -20 - 110

PN: 16

Connection: Flanged EN1092

ETIM classification: EC010910 - Butterfly valve

BK04 code: 20706 Single-leaf dampers

Product colour: RAL 2000 - Yellow orange

Technical data

Item number	KVS	Connection according to ISO 5211	Stem measurments	Required torque (Nm)
2313BS40	95	F07	10x10mm	4
2313BV40	95	F07	9x9mm	4
2313BS50	95	F07	10x10mm	6
2313BV50	95	F07	9x9mm	6
2313BS65	231	F07	10x10mm	10
2313BV65	231	F07	9x9mm	10
2313BS80	491	F07	10x10mm	16
2313BV80	491	F07	9x9mm	16
2313BS100	690	F07	12x12mm	29
2313BV100	690	F07	11x11mm	29
2313BS125	1450	F07	12x12mm	45
2313BV125	1450	F07	14x14mm	45
2313BS150	1945	F07	16x16mm	65
2313BV150	1945	F07	14x14mm	65
2313BV200	4095	F07	17x17mm	141
2313BV250	6085	F10	22x22mm	276
2313BV300	9570	F10	22x22mm	394
2313BV350	13500	F10	22x22mm	478
2313BV400	16350	F14	27x27mm	824
2313BV450	21550	F14	27x27mm	942
2313BV500	27700	F16	36x36mm	1459
2313BV600	37200	F16	36x36mm	2168

Item number	KVS	Connection according to ISO 5211	Stem measurments	Required torque (Nm)
2313B-40	95	F07	9x9mm	4
2313B-50	95	F07	9x9mm	6
2313B-65	231	F07	9x9mm	10
2313B-80	491	F07	9x9mm	16
2313B-100	690	F07	11x11mm	29
2313B-125	1450	F07	14x14mm	45
2313B-150	1945	F07	14x14mm	65
2313B-200	4095	F07	17x17mm	141
2313B-250	6085	F10	22x22mm	276
2313B-300	9570	F10	22x22mm	394

Installation and maintenance

Flowdirection: Bi-directional

Possible mounting position: Vertical, Horizontal

Possible mounting position notes: The stem should not be mounted so that it is pointing downwards as this may cause leakage.

The valve is intended to be mounted between flanges, without gaskets, and where possible with the shafts in a horizontal position, avoid mounting the valve with the shaft downwards. In case of unilateral mounting, bolts and nuts shall not be tightened with a higher torque than specified in the table of the relevant standard. The valve should be exercised regularly to avoid the accumulation of dirt that can lead to leakage.

Please feel free to contact us

We answer your questions by e-mail and telephone. No question is too small, no challenge is too big. You are always welcome at Armatec.

info@armatec.se | +46 31 89 01 00 | www.armatec.se

THE COMPANY'S MANAGEMENT SYSTEM
IS CERTIFIED BY DNV
ISO 9001 • ISO 14001