

C 330/630-... ECO

FLOOR STANDING GAS CONDENSING BOILERS

■ C 330-280 to 650 ECO: from 56 to 651 kW, gas condensing boilers simple body, for hot water central heating and DHW production with independent calorifier

■ C 630-560 to 1300 ECO: from 74 to 1303 kW, gas condensing boilers double body, for hot water central heating and DHW production with independent calorifier



C 330-... ECO



C 630-... ECO



Heating and DHW production with independent calorifier



Condensing



All natural gases



EC Identification No:
0063CL3613

All of these boilers are fitted as standard with a DIEMATIC iSystem or iniControl control panel.

The DIEMATIC iSystem and options, enable: control of complex installations, integration into existing systems, control and regulation of a domestic hot water circuit as well as a circuit with a mixing valve. For larger installations, it is possible to connect 2 to 10 boilers of type C330-... ECO or 5 boilers of type C 630-... ECO in a cascade configuration. The DIEMATIC iSystem control panel is fitted to the master boiler and the iniControl is fitted to the secondary boilers.

Various air/flue gas connection configurations are possible. We offer two types of solution: by vertical forced flue or to a chimney (see page 19).

■ OPERATING CONDITIONS

Max. working temperature: 90°C

Safety thermostat: 110°C

Max. working pressure: 7 bar

Min. working pressure: 0,8 bar

Power supply: 230 V/50 Hz

■ HOMOLOGATION

C 330-... ECO: B₂₃ - B_{23P} - C₃₃ - C₅₃ - C₆₃ - C₈₃ - C₉₃

C 630-... ECO: B₂₃ - B_{23P} - C₃₃ - C₅₃ - C₆₃ - C₈₃ - C₉₃

■ GAS CATEGORY

I_{2H}, NO_x classification: 5

PRESENTATION OF THE BOILERS

C 330-... ECO and C 630-... ECO boilers are floor-standing gas condensing boilers, delivered assembled and tested in the factory.

HIGH PERFORMANCE

- Annual operating efficiency up to > 109%.
- Efficiency class ★★★★★ CE.
- Low pollutant emissions:
 - NO_x < 60 mg/kWh,
 - CO < 20 mg/kWh.
- Low noise level and electricity consumption thanks to the modulating fan:
 - mean noise level of 61 to 65 dB (A) at a distance of 1m from the boiler,
 - 46 to 1526 W (C 630-1140) maximum depending on the output
 - NO_x classification: 5

PARTICULARITY OF C 630-... ECO:

They consist of 2 x C 330-... ECO boilers with the same power, each having a control panel and assembled with a flue gas collector.



A flue gas valve integrated in the combustion line prevents any interference of the discharge of the flue gases from the line's 2 generators, thus facilitating cascade installation.

THEIR STRONG POINTS

- Exchanger in cast aluminium/silicium sections, highly resistant to corrosion, with self-cleaning properties linked to the flow of condensates requiring no minimum water flow (except when operating > 75°C) using the device for regulation of the burner modulation, which manages the transitory phases in the installation which are responsible for very low or even zero flow rates in the boiler.
- Cylindrical total remix gas burner with metallic fibre coating, modulating from 20 to 100% from C 330-... ECO and from 15 to 100% for C 630-... ECO:
 - Perfect adaptation of boiler output to the actual needs of the installation,

- optimum combustion quality over the entire power range by maintaining a constant air/gas ratio through the venturi system.
- Electronic ignition.
- Ionisation sensor.
- DIEMATIC iSystem control panel or iniControl control panel (1 panel on C 330-... ECO, 2 panels on C 630-... ECO) for which the control system is open to all installation configurations, including the most complex: cascade operation possible for 2 to 10 type C 330-... ECO boilers or 5 type C 630-... ECO boilers.
- Numerous control panel and connection configuration options, which enable the management of external safety devices, modulating pumps, systems combined with solar energy or heat pumps and the programmed control of heating circuits with mixing valves.
- It is designed to communicate with DIEMATIC VM iSystem control systems and with remote control systems compatible with the ModBus protocol.
- Optional return separation possible (2nd return to be dually controlled for C 630-... ECO) for maximum exploitation of condensation.
- Easy installation:
 - Boiler positioning is particularly easy thanks to the castor + rail guidance system, which can be used to slide the boiler from its pallet and move it to its final position,
 - Can be dismantled down to the boiler body on the frame with its castors, to access awkward locations.
- Compactness: 1,53 m² floor space and 568 kg for 651 kW.
- Boiler assembled and tested in the factory.
- Easy maintenance:
 - Self-cleaning condensing boiler body,
 - Rapid burner access via removable covers,
 - Rapid exchanger access via the inspection hatch.

MODELS AVAILABLE

Boiler	Model	Useful output range at 50/30°C kW
 <p>- For heating, DHW production with independent calorifier. C 330-... ECO boilers are available in 2 versions for hydraulic connection to the left or right, with DIEMATIC iSystem or iniControl control panel</p>	C 330-280 ECO	56 to 279
	C 330-350 ECO	71 to 350
	C 330-430 ECO	84 to 425
	C 330-500 ECO	98 to 497
	C 330-570 ECO	113 to 574
	C 330-650 ECO	130 to 651
 <p>- For heating, DHW production with independent calorifier. Special properties: - Composed of 2 boilers type C 330-... ECO wired in cascade, with:</p> <ul style="list-style-type: none"> • DIEMATIC iSystem + one iniControl control panels or • 2 iniControl panels or • 2 DIEMATIC iSystem panels 	C 630-560 ECO	74 to 558
	C 630-700 ECO	94 to 700
	C 630-860 ECO	131 to 850
	C 630-1000 ECO	130 to 994
	C 630-1140 ECO	156 to 1148
	C 630-1300 ECO	258 to 1303

TECHNICAL SPECIFICATIONS OF THE BOILERS

TECHNICAL SPECIFICATIONS

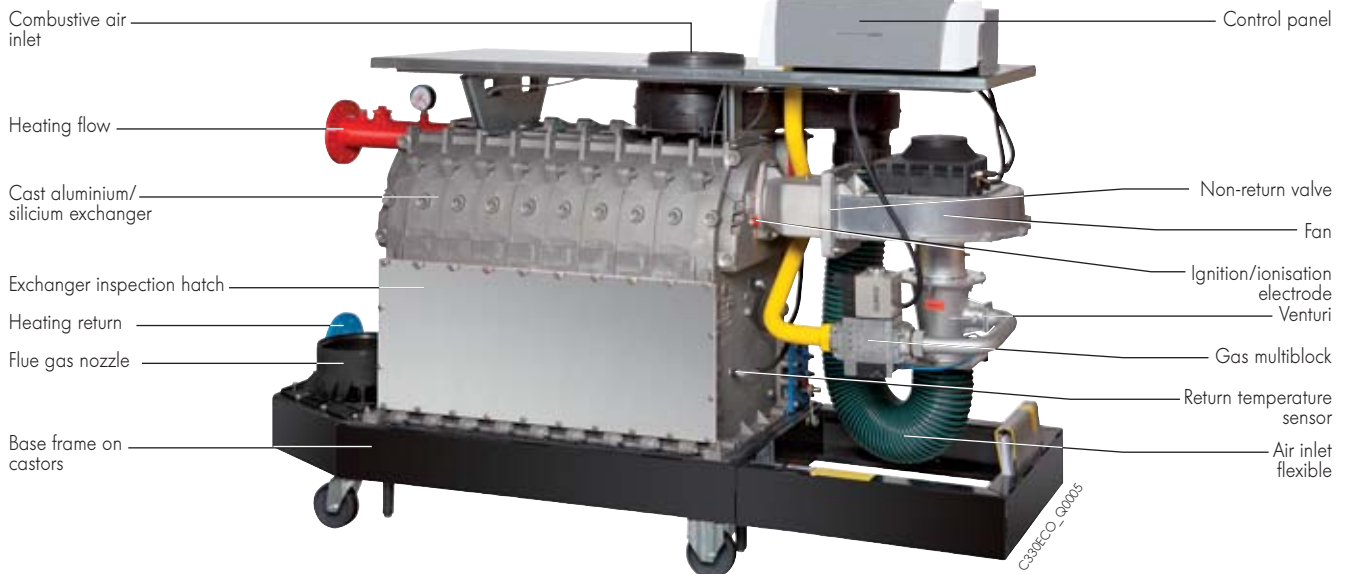
Model		C 330-... ECO						C 630-... ECO						
		280	350	430	500	570	650	560	700	860	1000	1140	1300	
Max. nominal useful output at Pn (50/30°C)	kW	279	350	425	497	574	651	558	700	850	994	1148	1303	
Efficiency in% Pci, at load...% Pn and temp... °C	- 100% Pn at average temp. 70°C	%	98.0	98.1	98.2	98.3	98.4	98.5	98.0	98.1	98.2	98.3	98.4	98.5
	- 100% Pn at return temp. 30°C	%	104.8	105.2	105.6	106.0	106.4	106.8	104.8	105.2	105.6	106.0	106.4	106.8
	- 30% Pn at return temp. 30°C	%	109.0	109.0	108.6	108.3	107.9	107.6	109.0	109.0	108.6	108.3	107.9	107.6
Annual output (DIN 4702, section 8)	%	109.6	109.5	109.4	109.3	109.2	109.1	109.6	109.5	109.4	109.3	109.2	109.1	
Nominal water flow rate at $\Delta t = 20$ K	m ³ /h	11.3	14.2	17.0	19.9	22.7	25.9	22.5	28.9	34.1	39.7	45.4	51.8	
Aux. electrical output at Pn	W	279	334	426	543	763	723	558	668	852	1086	1526	1446	
Aux. electrical output at P mini.	W	46	46	58	61	62	55	92	92	116	122	124	110	
Nominal output mini/maxi at 80/60°C	kW	51/261	65/327	79/395	92/462	106/530	119/601	69/522	87/654	123/790	122/922	148/1060	158/1202	
Water draught at $\Delta t = 20$ K	mbar	113	110	120	110	125	130	113	110	120	110	125	130	
Gas flow rate max.	- natural gas H (15°C - 1013 mbar)	m ³ /h	28.1	35.2	42.5	49.6	57.0	64.6	56.2	70.4	85.0	99.2	114.0	129.2
	- natural gas L	m ³ /h	32.7	41.0	49.5	57.7	66.3	75.1	65.4	82.0	99.0	115.4	132.6	150.2
Mass flue gas flow rate max.	kg/h	448	560	676	789	907	1026	896	1120	1352	1578	1814	2052	
Max. flue gas temperature	°C	80	80	80	80	80	80	80	80	80	80	80	80	
Flue gas pressure available at the nozzle	Pa	130	120	130	150	150	150	130	120	130	130	130	150	
Water content	l	49	60	71	82	93	104	98	120	142	164	186	208	
Minimum water flow (*)	m ³ /h	3.4	4.2	5.1	5.9	6.8	7.8	6.8	8.4	10.2	11.8	13.6	15.6	
Stand-by losses at $\Delta t = 30$ K EN 15420	W	464	479	493	508	522	537	928	958	986	1016	1044	1074	
	%	0.17	0.14	0.12	0.11	0.10	0.09	0.17	0.14	0.12	0.11	0.1	0.09	
Floor area	m ²	1.31	1.31	1.31	1.53	1.53	1.53	2.68	2.68	2.68	3.13	3.13	3.13	
Net weight	kg	364	398	433	495	531	568	707	771	837	957	1025	1095	

(*) except when operating at $> 75^\circ\text{C}$

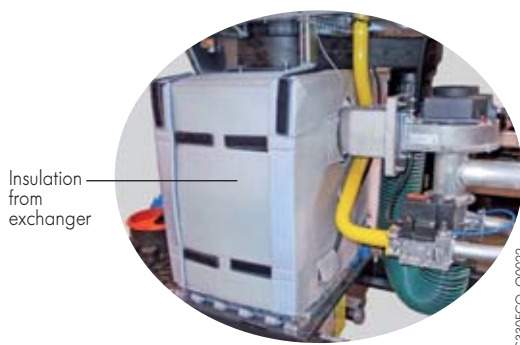
AVAILABILITY
3RD QUARTER
2012

DESCRIPTION

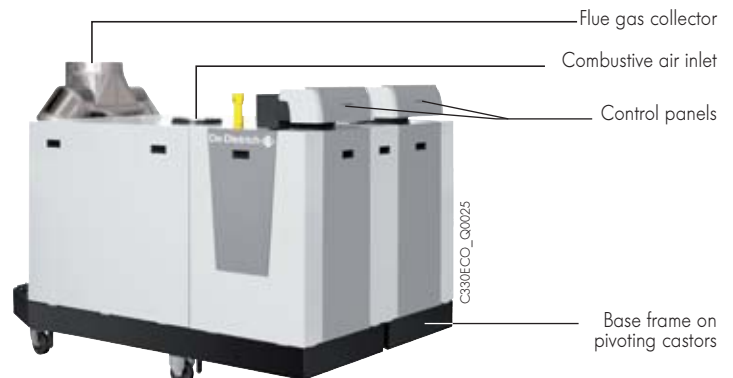
C 330-... ECO



C 330-... ECO AND C 630-... ECO



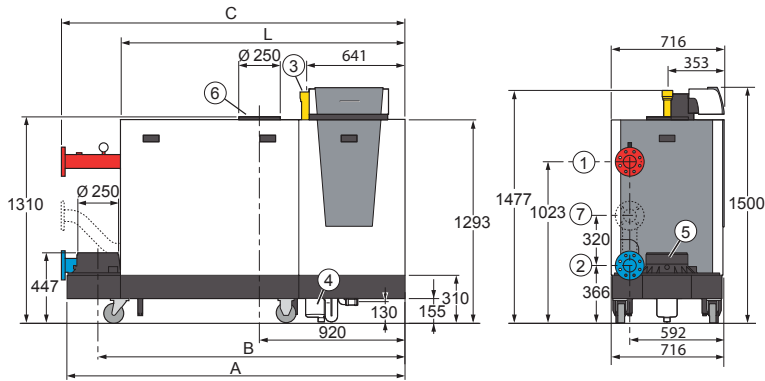
C 630-... ECO



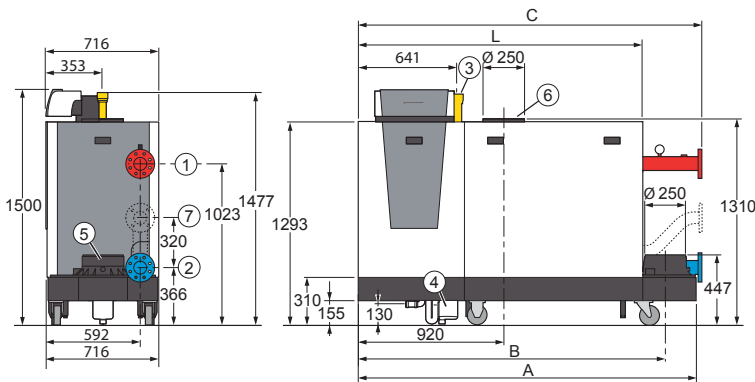
TECHNICAL SPECIFICATIONS OF THE BOILERS

PRINCIPAL DIMENSIONS (IN MM AND INCHES)

C 330... ECO - left version



C 330... ECO - right version

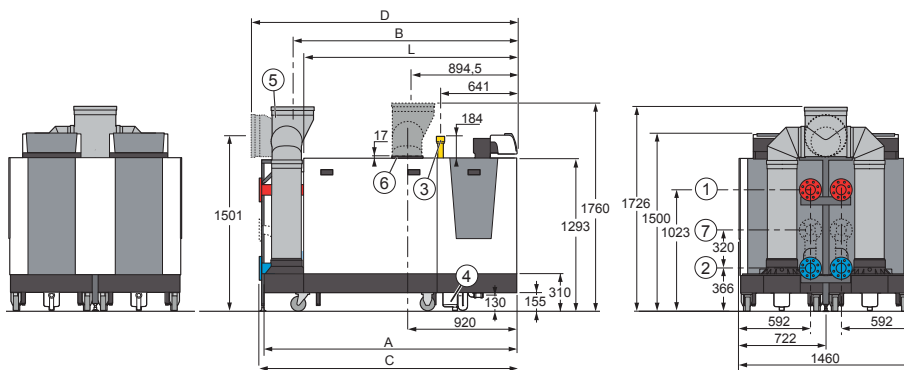


	C 330-280	C 330-350	C 330-430	C 330-500	C 330-570	C 330-650
A	1833	1833	1833	2142	2142	2142
B	1635	1635	1635	1944	1944	1944
C	1862	1862	1862	2172	2172	2172
L	1490	1490	1490	1800	1800	1800

- ① Heating flow: nozzle DN 80 (norme DIN 2576)
- ② Return flow: nozzle DN 80 (norme DIN 2576)
- ③ Gas inlet G 2 (tapped connection)
- ④ Condensates run-off, siphon provided, for PVC tube Ø 32 mm (inlet)
- ⑤ Flue gas nozzle Ø 250 mm
- ⑥ Combustive air inlet Ø 250 mm
- ⑦ Second return nozzle (option), DN 65 (norme DIN 2576)

C630ECO_F0001C

C 630... ECO



	C 630-560	C 630-700	C 630-860	C 630-1000	C 630-1140	C 630-1300
A	1833	1833	1833	2142	2142	2142
B	1635	1635	1635	1944	1944	1944
C	1862	1862	1862	2172	2172	2172
D	1902	1902	1902	2271	2271	2271
L	1490	1490	1490	1800	1800	1800

- ① Heating flow: nozzle Ø 80 (norme DIN 2576)
- ② Return flow: nozzle Ø 80 (norme DIN 2576)
- ③ Gas inlet G 2 (tapped connection)
- ④ Condensates run-off, siphon provided, for PVC tube Ø 32 mm (inlet)
- ⑤ Flue gas nozzle Ø 350 mm
- ⑥ Combustive air inlet Ø 250 mm (Air inlet collector for option Ø 350 mm)
- ⑦ Second return nozzle (option) Ø 65 (norme DIN 2576)


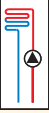

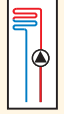
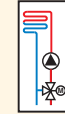
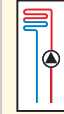

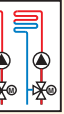
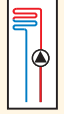
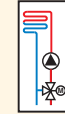
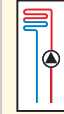

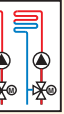
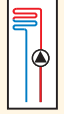
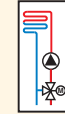
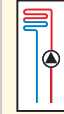

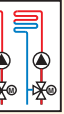
C630ECO_F0001D

Note: the control panels on the C 330/630... ECO can be mounted in front position or laterally; see instruction delivered with the boiler.

SELECTION OF THE CONTROL PANEL

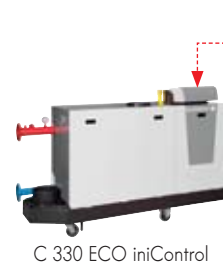
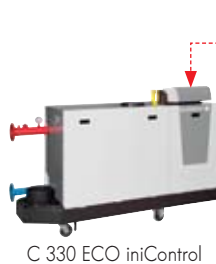
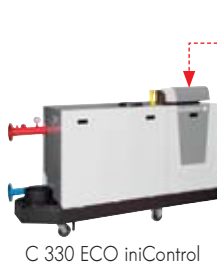
The choice of the control panel will be made according to the facility to achieve:

INSTALLATION WITH 1 C 330 ECO BOILER

2 type of control panel available	Secondary circuits that can be connected	Other accessories														
 <p>C 330 ECO</p> <p>iniControl</p>	<p>- for direct control of a circuit, without timer programming and without external sensor:</p>  <p>as standard</p>	<p>- ref. S101325: PCB IF-01* for a 0-10 V command (may be combined with the PCB SCU-X03)</p> <p>or</p> <p>- ref. S101635 PCB SCU-X03* to control a modulating pump + PCB IF-01 (ref. S101325)</p> <p>or</p> <p>- ref. S103055: PCB SCU-S05* to connect external safety components</p>														
 <p>DIEMATIC iSystem</p>	<p>- for control of a circuit:</p> <table border="1" data-bbox="614 806 1220 974"> <tr> <td></td> <td></td> <td></td> <td></td> <td></td> </tr> <tr> <td>direct</td> <td>with valve</td> <td>direct + 1 valve</td> <td>2 x with valve</td> <td>direct + 2 x with valve</td> </tr> </table> <p>Options:</p> <p>as standard</p> <table border="1" data-bbox="710 996 1220 1198"> <tr> <td>1 sensor AD 199</td> <td>1 sensor AD 199</td> <td>1 sensor AD 199 + 1 PCB + sensor AD 249</td> <td>1 sensor AD 199 + 1 PCB + sensor AD 249</td> </tr> </table>						direct	with valve	direct + 1 valve	2 x with valve	direct + 2 x with valve	1 sensor AD 199	1 sensor AD 199	1 sensor AD 199 + 1 PCB + sensor AD 249	1 sensor AD 199 + 1 PCB + sensor AD 249	<p>- ref. S101635: PCB SCU-X03* to control a modulating pump</p> <p>or</p> <p>- ref. S103055: PCB SCU-S05* to connect external safety component</p>
																
direct	with valve	direct + 1 valve	2 x with valve	direct + 2 x with valve												
1 sensor AD 199	1 sensor AD 199	1 sensor AD 199 + 1 PCB + sensor AD 249	1 sensor AD 199 + 1 PCB + sensor AD 249													

CASCADE INSTALLATION WITH 2 UP TO 10 x C 330 ECO BOILERS (OR 1 OR SEVERAL C 630 ECO BOILERS)

Cascade of several C 330 ECO iniControl boilers or C 630 ECO iniControl boilers (for installation with external control cabinet)



C330ECO_00001

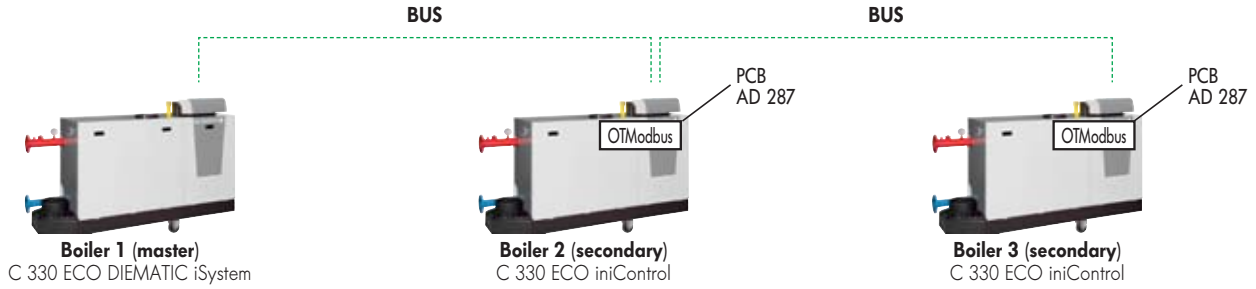
Secondary circuits that can be connected	Obligatory accessories	Other accessories
<p>The boiler room control cabinet will manage all the installed secondary circuits.</p>	<p>All the boilers (up to 10) are connected via the PCB IF-01 or SCU-S05*</p> <p>Per boiler:</p> <p>- ref. S101325 PCB IF-01* for a command by a 0-10 V signal</p> <p>or</p> <p>- ref. S103055 PCB SCU-S05* to connect external safety components</p>	<p>Per boiler:</p> <p>- ref. S101635 PCB SCU-X03* to control a modulating pump</p> <p>—</p>

* Additional functions are possible using these options, see next page.

SELECTION OF THE CONTROL PANEL

CASCADE INSTALLATION WITH 2 UP TO 10 x C 330 ECO BOILERS (OR 1 OR SEVERAL C 630 ECO BOILERS)

Cascade of boilers in which the master boiler is equipped with a DIEMATIC iSystem control panel and the secondary boilers each have an iniControl control panel.



Secondary circuits that can be connected					Obligatory accessories	Other accessories
All the secondary circuits will be connected on the master boiler fitted with a DIEMATIC iSystem control panel. No additional secondary circuits can be connected to the iniControl panel						
					Per secondary boiler (iniControl panel): - Package AD 287: PCB OpenTherm-Modbus + BUS cable (1 PCB and a 1.5 m BUS cable is normally delivered with the C 630 boiler)	Per boiler: - ref. S101635: PCB SCU-X03 * to control a modulating pump or - ref. S103055: PCB SCU-S05 * to connect external safety component
direct	with valve	direct + 1 valve	2 x with valve	direct + 2 x with valve**		
Options:						
as standard	1 sensor AD 199	1 sensor AD 199	1 sensor AD 199 + 1 PCB + sensor AD 249	1 sensor AD 199 + 1 PCB + sensor AD 249		

* Additional functions are possible using these options, see below.

** One or more DIEMATIC VMiSystem units will control the additional circuits, autonomously or through connection to the boiler control panel (2 circuits with one valve per unit).

Note: do not forget to order « cascade outlet sensor », package AD 250 or AD 218 (1 sensor AD 250 delivered with C 630 ECO iSystem).

If there is a need of managing more than 1 direct and 2 x with valve it exists the possibility to replace the iniControl panel by iSystem or one or more DIEMATIC VM iSystem.

ADDITIONAL FUNCTIONS

The table below indicates the additional functions available for each control panel, with various options.

Description of the additional functions	Available with options (PCB to install in the control panel)		
	IF-01	SCU -X03	SCU-S05
Input 0 - 10 V, configurable (I)	X	-	X
Output 0 - 10 V, configurable:	X	-	
- return of the signal indicating the heating water temperature	-	-	X
- return of a % signal	-	-	X
- a 0 -10 V modulating pump command	-	X	X
- PWM modulating pump command	-	X	X
ON/OFF signal delay	-	-	X
Control of an external gas valve (I)	-	-	X
Alarm (I)	-	-	X
Control of a hydraulic isolation valve: in the case of a cascade, enabling isolation of an inactive boiler to avoid heat losses	-	-	X
Control of a motorised fume isolation valve: allows an isolation valve to be closed, if necessary	-	-	X
Control of a gas pressure switch	-	-	X
Control of a water pressure switch	-	-	X
Check of the tightness of the gas train	-	-	X
Connection of an outside sensor (I)	-	-	X

(I) Functions available in series with the DIEMATIC iSystem control panel

DIEMATIC iSystem CONTROL PANEL

The **DIEMATIC iSystem** is a very advanced control panel, which includes electronic programmable regulation to modulate the boiler temperature by activating the **modulating burner** according to the outside temperature and also to the room temperature, if a CDI D. iSystem, CDR D. iSystem interactive remote control or simplified remote control (optional) is connected.

As standard, DIEMATIC iSystem control panel is capable of automatically operating a central heating installation with a direct circuit and 1 circuit with mixing valve (the flow sensor for the mixing valve - package AD 199 - must be order separately, however).

By connecting another « PCB + sensor 1 valve circuit » (option package AD 249), it is therefore possible to control up to 3 circuits in total and each of this circuits can be fitted with a CDI or CDR D. iSystem remote control (optional).

Connection of a domestic hot water sensor makes it possible to programme and regulate a DHW circuit (package AD 212 optional). This control system has been specifically developed to enable optimum management of systems **combining various heating generators** (boiler + heat pump or + solar system...). It allows the installer to set the parameters for the entire heating installation regardless of its degree of complexity.

In the context of larger installations, it is also possible to connect 2 up to 10 x C 330-ECO or 5 x C 630-... ECO boilers in cascade. The DIEMATIC iSystem control panel will then be used as the master for the installation, the secondary boilers being fitted with the iniControl control panel. To connect more than 3 circuits possible to the master boiler make provision for a second (or further) boilers with a DIEMATIC iSystem control panel in the cascade or DIEMATIC VM iSystem wall-hung control units.

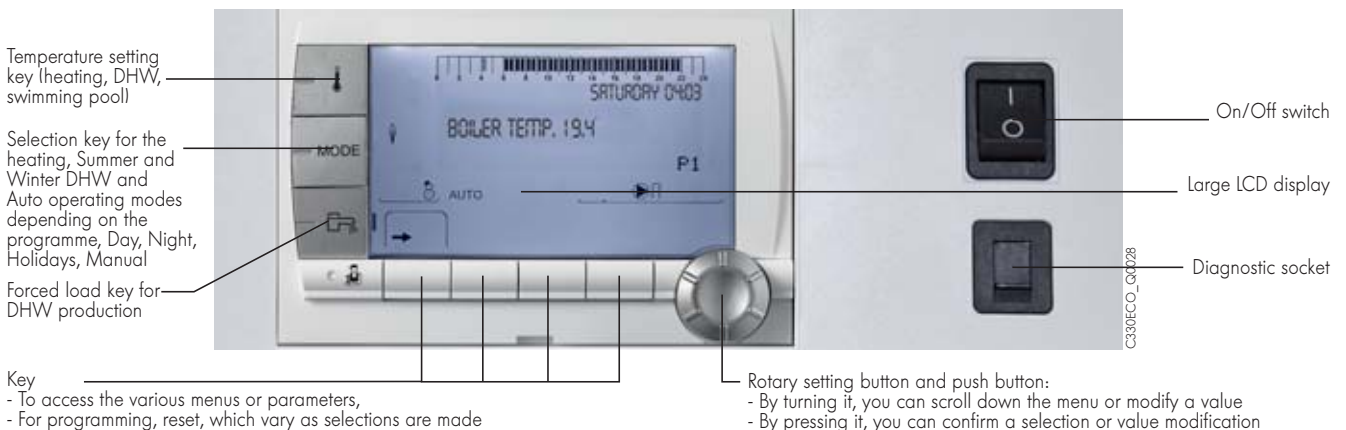
Special case: C 630-... ECO

The C 630-... ECO can be equipped, if desired:

- with a DIEMATIC iSystem control panel for a boiler and an iniControl control panel on a second boiler (the two being linked by the supplied BUS cable). The system operating on the principle of a cascade.

- with 2 iniControl control panels. The boiler can also be controlled through two 0-10 V signals supplied via the IF-01 interface by a control cabinet.

DIEMATIC iSystem CONTROL PANEL



DIEMATIC iSystem CONTROL PANEL OPTIONS



Domestic hot water sensor - Package AD 212

This is used for regulating the DHW temperature as a priority and programming of domestic hot water production with an independent calorifier.



Outlet sensor downstream of the valve - Package AD 199

This sensor is required to connect the first circuit with mixing valve to a boiler fitted with a DIEMATIC iSystem control panel.



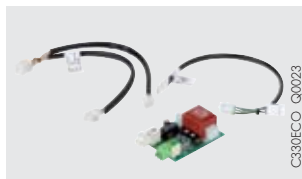
PCB + sensor for 1 mixing valve - Package AD 249

This is used to control a mixing valve with an electromechanical or electrothermal motor. The PCB is inserted into the DIEMATIC iSystem panel

connected by pin connections. DIEMATIC iSystem can receive 1 "PCB + sensor" option, enabling it to control 1 additional mixing valve.

DIEMATIC iSYSTEM CONTROL PANEL

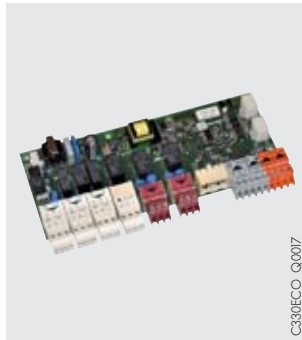
DIEMATIC iSystem CONTROL PANEL OPTIONS



SCU-X03 interface board for control of a modulating pump - ref. S101635

This PCB interface is installed in the DIEMATIC iSystem and iniControl control panels, and controls

a modulating heating pump GRUNDFOS or WILO with 0-10 V.



SCU-S05 PCB for connecting external safety devices - ref. S103055

This PCB can be installed in the DIEMATIC iSystem and iniControl control panels. Depending on the various components connected, it can:

- control a motorised fume isolation valve;
- control the external gas valve,
- control a hydraulic valve (isolation valve) for a cascade configuration,
- control the recycling pump

- possess a configurable analogue input 0-10 V for an outlet temperature or power modulation function,
- possess a configurable analogue output 0-10 V (indicating the heat delivered or the temperature, or used to control a pump),
- connect to a hydraulic pressure sensor,
- connect to a minimum gas pressure switch,
- connect to a tightness check,
- connect to an external temperature sensor.



Radio outside temperature sensor - Package AD 251

Boiler radio module (radio transmitter) - Package AD 252

The radio outside temperature sensor can be delivered as optional equipment for systems in which the installation of the external wire connection sensor delivered with DIEMATIC iSystem control panel would be too complex.

If this sensor is used:

- With a wire connection remote control (AD 254, AD 284 or FM 52), it is necessary to order the "Boiler radio module".



CDI D. iSystem interactive remote control - Package AD 254

CDR D. iSystem interactive "radio" remote control (without transmitter/receiver radio) - Package AD 284

Radio boiler module DIEMATIC iSystem (transmitter/receiver) - Package AD 252

These are used to override all instructions from the DIEMATIC iSystem control panel from the room in which they are installed. In addition, they enable the self-adaptability of the heating regime for the circuit concerned (one CDI D. iSystem or CDR D. iSystem per circuit).

In the case of the CDR D. iSystem, the data are transmitted by radio waves from the place where the CDR D. iSystem is installed to the transmitter/receiver box (package AD 252) placed close to the boiler.



Simplified remote control with room sensor - Package FM 52

This is used from the room in which it is installed to override certain instructions from the DIEMATIC iSystem panel: room temperature program and

instruction override. It is also used to enable the self-adaptability of the heating curve for the circuit concerned (1 remote control per circuit).

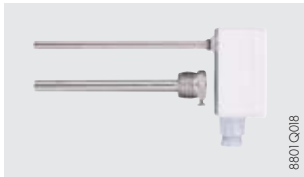


Room sensor - Package AD 244

A room sensor is connected to activate the comfort period start-up optimisation function from the room in which it is installed. It is also used to enable the

self-adaptability of the heating curve for the circuit concerned (1 sensor per circuit).

DIEMATIC iSYSTEM CONTROL PANEL



8801Q018

Dip sensor with tube - Package AD 218

This dip sensor (NTC 147) is delivered with an IP54 junction box and a 1/2" sensor tube, length under head 120 mm. It is used instead of the attachable

sensors provided with the PCB and valve options. It can also be used on the header pipe when connecting 2 boilers in cascade.



VM_Q0001

DIEMATIC VM iSystem wall-hung control unit- Package AD 281

The VM iSystem electronic control system, incorporated in a wall-mounted box, is used to manage and control two heating circuits and a DHW circuit and each of the heating circuits may be a direct circuit or a circuit with motorised 3-way mixing valve.

It is possible to interlink up to 20 VM iSystem control systems and thus configure numerous combinations, regardless of the type of installation:

- VM iSystem can be used in combination with an existing generator to control additional heating and DHW circuits. In this case, it will communicate with the generator via a BUS cable (e.g. De Dietrich boiler fitted with a DIEMATIC control panel).
- VM iSystem can also be used fully autonomously on its own to control heating and DHW circuits according to the outside temperature (sensor

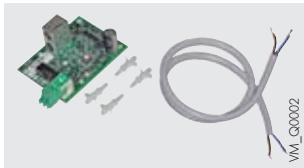
to be ordered separately – package FM 46) independently of the generator.

In addition, VM iSystem can control a boiler via OpenTherm (outlet available on VM iSystem) for a boiler equipped with an OpenTherm bus, or as « ON/OFF » via the auxiliary contact for any other generator (burner, HP, wood-fired boiler...).

It can also control a boiler cascade:

- Equipped with a DIEMATIC control panel
- Equipped with an Opentherm BUS via an interface board (1 board per generator);

VM iSystem is also equipped with an auxiliary outlet which, apart from the controlling a generator in ON/OFF mode, allows control of a heating pump, a primary pump, a second DHW circuit, an alarm signal, etc. It also has a 0-10V inlet that can be configured for ON/OFF telephone control.



VM_Q0002

OpenTherm/Modbus Interface - Colis AD 287

Required to control a cascade of boilers by ensuring communication between the boilers and assigning a number to each of them.

The PCB is installed directly in the iniControl control panel of the boiler.



IMCA_Q0012

Sensor for storage tank or sensor for cascade outlet - Colis AD 250

Includes a sensor for managing a storage tank with a boiler, fitted with a DIEMATIC iSystem control panel.

It is also used as the flow sensor common to the cascade in the case of a cascade installation and

is delivered as standard with the C 630-... ECO to enable the 2 boilers it comprises to operate in cascade.



8227Q020

BUS connection cable (length 12 m) - Package AD 134

The BUS cable provides the connection between 2 (and up to 10 x C 330-... ECO or 5 x C 630-... ECO) boilers fitted with a DIEMATIC iSystem control panel as part of a cascade installation, as well as the connection of a wall-mounted DIEMATIC VM iSystem control panel or a transmitter from the remote management network.

A BUS cable is delivered as standard with the C 630-... ECO for the connection between a boiler equipped with an iSystem control panel and an iniControl control panel.



8199Q063

Connection cable (40 m long) - Package DB 119

This armoured cable is intended to replace the BUS cable delivered with the C 630-... ECO (length 1.5 m) or the 12m BUS cable (package AD 134)

described above, when these turn out to be too short.

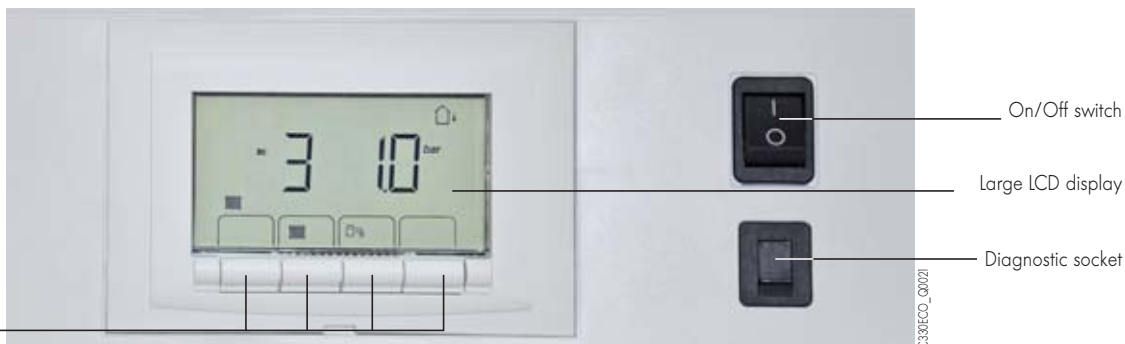
iniCONTROL CONTROL PANEL

The iniControl control panel is used to manage a direct circuit and DHW production (without programming). Burner modulation according to the outside temperature is activated by connecting the outside temperature sensor (package FM 46 – to be ordered separately).

The display of the boiler temperature, the pressure in the heating network, and the operating status of the generator using symbols and alphanumeric codes is handled by the large display, which also incorporates a flashing alarm function.

To monitor the installation, optional readout of error history and hour run meters. The iniControl control panel also enables boiler management through a parameterisable 0-10V signal. In the case of a cascade installation, the iniControl panel will be fitted to the secondary boilers linked in series to the master boiler fitted with the DIEMATIC iSystem control panel using the BUS cable (optional).

Key:
 - to access the various menus or parameters,
 - Setting and manual reset, which vary as selections are made



iniControl CONTROL PANEL OPTIONS



Outside sensor - Package FM 46
 Allows the management of the circuit heating by measuring of the outside temperature.



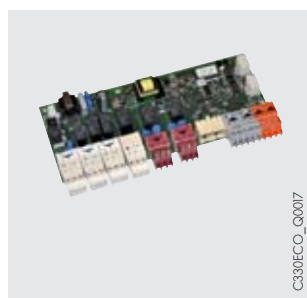
Programmable room thermostat (wireless) - Package AD 200
Non-programmable room thermostat (wire) - Package AD 140

The programmable thermostats handle the control and weekly programming of the heating by activating the burner in accordance with the various operating modes: "Automatic" according to

the program, "Permanent" at a set temperature or "Holidays". The « wireless » version is delivered with a receiver box to be affixed to the wall close to the boiler.



PCB interface IF-01 for a command of 0-10 V - ref. S101325



SCU-S05 PCB for connecting external safety devices - ref. S103055

This PCB can be installed in the DIEMATIC iSystem and iniControl control panels. Depending on the various components connected, it can:

- control a valve for burnt gases,
- control the external gas valve,
- control a hydraulic valve (isolation valve) for a cascade configuration,
- control the recycling pump

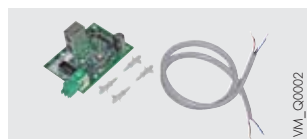
- possess a configurable analogue input 0-10 V for an outlet-temperature or power modulation function,
- possess a configurable analogue output 0-10 V (indicating the heat delivered or the temperature, or used to control a pump),
- connect to a hydraulic pressure sensor,
- connect to a minimum gas pressure switch,
- connect to a tightness check,
- connect to an external temperature sensor.



PCB SCU-X03 PCB for control of a modulating heating pump - ref. S101635

This PCB can be installed in the DIEMATIC iSystem and iniControl control panels. Installed and

connected, it can control a GRUNDFOS or WILO modulating heating pump, with 0-10V.



OpenTherm/Modbus Interface - Package AD 287*

Required to control a cascade of boilers by ensuring communication between the boilers through assignment of a number to each of them.

The PCB is to be installed directly in the boiler's control panel.



Inter-module connecting cable - length 1.5 m - Package AD 124*

This is used for the interconnection of two DIEMATIC VM iSystem wall-mounted control systems.

*These 2 components are delivered as standard with a C630 ECO boiler fitted with a DIEMATIC iSystem control panel and an iniControl control panel.

BOILERS OPTIONS



C330ECO_Q0009

2nd return nozzle: option prefitted on delivery, to be specified on order

for C 330-280 ECO and C 630-560 ECO - ref. S101776 (1)
 for C 330-350 ECO and C 630-700 ECO - ref. S101777 (1)
 for C 330-430 ECO and C 630-860 ECO - ref. S101778 (1)
 for C 330-500 ECO and C 630-1000 ECO - ref. S101779 (1)
 for C 330-570 ECO and C 630-1140 ECO - ref. S101780 (1)
 for C 330-650 ECO and C 630-1300 ECO - ref. S101781 (1)

These packages are used to differentiate the low and high temperature return circuits and thus to

exploit condensation to the full. They include a 2nd return pipe and a water distribution pipe.

(1) order two for C 630-... ECO



C310_Q0008

Tightness checker for the Honeywell gas train, for 5 to 9 elements - ref. S103305 (1)

Tightness checker for the Dungs gas train, for 10 elements - ref. S101724 (1)

It is adapted to the gas train and checks the tightness of the safety valves during the pre-sweep. If a leak is detected, the boiler goes into safety shutdown and

the fault will be signalled by the DIEMATIC iSystem control panel.

(1) order two for C 630-... ECO



C330_Q0014

Minimum gas pressure switch for the Honeywell gas train, for 5 to 9 elements - ref. S103306 (1)

Minimum gas pressure switch for the Dungs gas train, for 10 elements - ref. S101805 (1)

It is adapted to the gas train and in case of lack supply pressure it puts the boiler into safety

shutdown and the fault will be signalled by the DIEMATIC iSystem control panel.

(1) order two for C 630-... ECO



C230_Q0002

300 mbar pressure regulator

It is fitted to the gas inlet circuit. It is necessary if the gas mains supply is at 300 mbar.

Package	ref.	Max. natural gas flow rate in m ³ /h	Max. output power in kW	Ø of connection
AD 245	GDJ 25	70	700	Rp1
AD 246	GDJ 50	140	1400	Rp 2

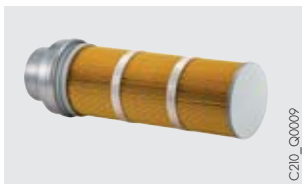
Flue gas sensor - ref. S103023



C330ECO_Q0006

Low water pressure switch - ref. S101784 (1)

(1) order two for C 630-... ECO



C210_Q0009

Air intake filter - Package GS 20 (1)

It is fitted to the combustive air inlet and obviates a fall in output if the pre-mix gas burner is clogged owing to it being in a dusty atmosphere.

(1) order two for C 630-... ECO



C210_Q0016

Clearing knife - Package GS 21

It allows the exchanger to be cleaned, which is accessed via the inspection trap in the body.



C330ECO_Q0008

4 to 8 hole adaptor flange for a pump - ref. S101775



C210_Q0014

DU 14

Condensates neutralisation system with lifting pump

- Package DU 14 (boilers up to 120 to 350 kW)

- Package DU 15 (boilers up to 350 kW)

Neutralisation granules for DU 14 (available from CPR) - ref. 9422-5601 (10 kg)

An annual check of the system, particularly the effectiveness of the granules, by measuring the

pH is necessary. If need be, the granules must be replaced.

BOILERS OPTIONS



ref. S103333

C330ECO_Q0015

Integral condensate neutralisation station - ref. S103333

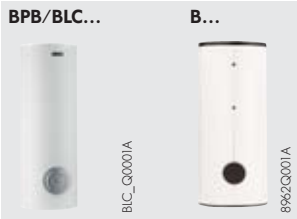
Box to be integrated under the casing of the boiler. The acidic condensates flow through a tank filled

with granules before being discharged into the waste water network.

Recharge of granules for integral station (available from CPR) - ref. 35506 (7,3 kg)

An annual check of the system, particularly the effectiveness of the granules, by measuring the

pH is necessary. If need be, the granules must be replaced.



BPB/BLC...

B...

BLC_Q0001A

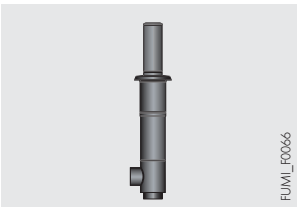
8962Q001A

DHW production

De Dietrich B... series independent DHW tanks with a capacity of 650 to 1000 litres can be used for domestic hot water production for individual and collective residences as well as for industrial and commercial premises. They are lined with food quality standard high quartz content vitrified

enamel and protected by a magnesium anode for BPB/BLC... and B 650, and "correx" imposed current for B 800 and 1000. The specifications and performances of these tanks are given in the product catalogue and the technical leaflets.

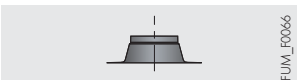
FLUE SYSTEM OPTIONS



FUMI_F0066

Vertical air/flue gas vent Ø 200/300 mm - Package DY 851

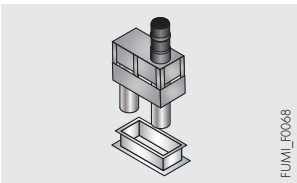
Vertical air/flue gas vent Ø 250/350 mm - Package DY 852



FUMI_F0066

Flashing for flat roof Ø 300 mm - Package DY 853

Flashing for flat roof Ø 350 mm - Package DY 854



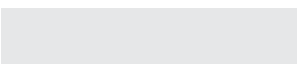
FUMI_F0068

Vertical forced flue 2 x Ø 350 mm - Package DY 867



C330ECO_Q0012

Connection adapter C 310 ECO to C 330 ECO - ref. S103178



Adapter, Ø 250 mm to Ø 200 mm - ref. S103179



C330ECO_Q0010

Flue connection kit for 2 x C 330 ECO - ref. S103118



C330ECO_Q0011

Air input collector for C 630 ECO- ref. S103128

INFORMATION REQUIRED FOR INSTALLATION

STATUTORY INSTRUCTIONS ON INSTALLATION AND MAINTENANCE

The installation and maintenance of the appliance must be carried out by a qualified professional in compliance with the statutory texts of the codes of practice in force.

INSTALLATION IN BOILER ROOM

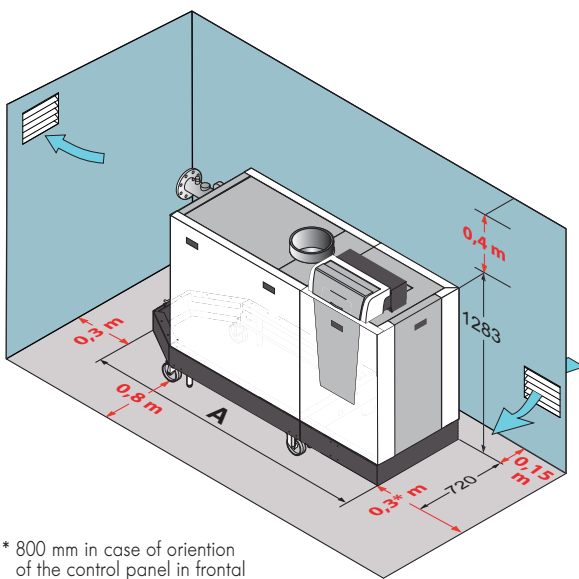
C 330/630-... ECO boilers are fitted with a castor + rail guidance system allowing them to be easily put into position: it is sufficient to roll the boiler from the pallet to its desired position

The dimensions shown are the minimum recommended dimensions (in mm) for providing adequate access around the boiler.

(using the top of the packaging case placed in front of the pallet head as an unloading ramp).

Note: for installations with several boilers in cascade, these same dimensions should be respected for each boiler.

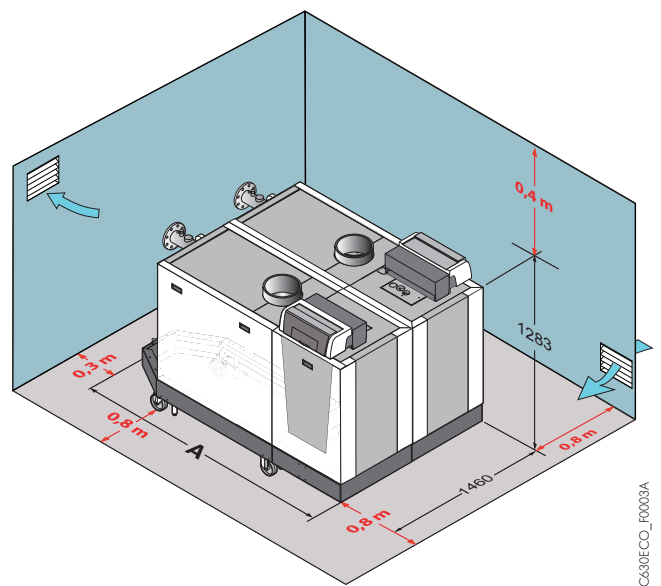
C 330 ECO



* 800 mm in case of orientation of the control panel in frontal position

C330ECO_F0003A

C 630 ECO



C630ECO_F0003A

	A (mm)
C 330-280 ECO	1862
C 330-350 ECO	1862
C 330-430 ECO	1862
C 330-500 ECO	2172
C 330-570 ECO	2172
C 330-650 ECO	2172

	A (mm)
C 630-560 ECO	1862
C 630-700 ECO	1862
C 630-860 ECO	1862
C 630-1000 ECO	2172
C 630-1140 ECO	2172
C 630-1300 ECO	2172

INFORMATION REQUIRED FOR INSTALLATION

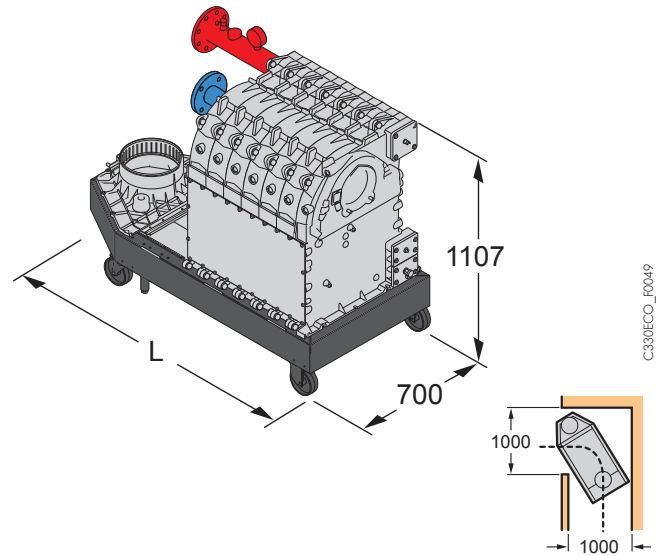
As far as possible, the protective packaging around the boiler must only be removed once the boiler is in its definitive position. However, for practical transport reasons and for passage through doors and along corridors, it may be necessary to dismantle certain parts of the boiler.

The elements which can be dismantled are:

- the panels,
- the flue system and gas components,
- part of the base frame.

The diagram and control panel below give the dimensions of the largest piece transported (= the base frame with the boiler body and hydraulic connections).

	L (mm)
C 330-280, C 330-350, C 330-430 C 630-560, C 630-700, C 630-860	1160
C 330-500, C 330-570, C 330-650 C 630-1000, C 630-1140, C 6130-1300	1469



Boiler room ventilation

The cross-section of the boiler room ventilation (through which combustive air is taken in) must comply with the prevailing standard.



In order to avoid damage to boilers, it is necessary to prevent the contamination of combustion air by chloride and/or fluoride compounds, which are particularly corrosive. These compounds are present, for example, in aerosol spray cans, paints, solvents, cleaning products, washing powders/liquids, detergents, glues, snow clearing salts, etc. It is therefore necessary:

- To avoid sucking in air discharged from premises using such products: hairdressers, dry cleaners, industrial premises (solvents), premises containing refrigeration systems (risk of leaking refrigeration fluid), etc.
- To avoid the storage of such products close to boilers.

Please note that, if the boiler and/or its peripherals become corroded by chloride and/or fluoride compounds, our contractual warranty cannot be invoked.

GAS CONNECTION

Compliance with prevailing instructions and regulations is mandatory. In all cases, a sectional valve is fitted as close as possible to the boiler. A filter should be fitted to the gas supply inlet immediately after the sectional valve.

The pipe diameters must be defined in accordance with prevailing specifications.

Gas storage bottles

Gas storage bottles are one of the solutions employed to correct the problem of the « min » or « max » pressure switches fitted to the gas burners being tripped unnecessarily.

This kind of tripping is related to the inertia of the gas regulator system, which causes partial vacuum and overpressures in the gas mains pipe when the burners start up or shut down.

Gas supply pressure:

- 20 mbar on natural gas H
- 25 mbar on natural gas L
- 300 mbar on natural gas H with pressure regulator, available as optional equipment

The volume calculation for a storage bottle can be performed using the software that we offer, in particular DIEMATOOLS, which is accessible on our Internet site, reserved for professionals.

INFORMATION REQUIRED FOR INSTALLATION

ELECTRICAL CONNECTION

This must comply with the prevailing standard.
The boiler is protected by a 4 A circuit breaker located behind the control panel. It must be powered by an electrical circuit comprising an omnipole switch with an opening distance > 3 mm.

HYDRAULIC CONNECTIONS

Important

The principle of a condensation boiler is to recycle the energy contained in the water vapour in the combustion gases (latent vaporisation heat). Consequently, to achieve an annual operating efficiency in the order of 109%, it is necessary to size the heating

Connection to the heating circuit

C 330/630-... ECO boilers must only be used in closed circuit heating installations. The central heating systems must be cleaned to eliminate the debris (copper, strands, brazing flux) linked to the installation of the system and deposits that can cause malfunctions (noise in the system, chemical reaction between metals). More particularly, if fitting a boiler to an existing installation, it is strongly recommended that you clear sludge out of the system before installing the new boiler. After carrying out this work, particular monitoring of the installation may be necessary both in respect of the water in the network and the quality of the water used for topping it up in order to be in full control of the consequences. Suitable filters may be necessary in some cases.

Requirements on heating water

- Total hardness: TH < 15 °F (200 à 550 kW)
TH < 5 °F (> 550 kW)
- Mains pH: pH 7-8.5

Water treatment

- If the installation requires water treatment: consult us, particularly for:
- water treatment which complies with the use of materials used in the construction of the boiler, the aluminium heating body, the pH of the water must not exceed 8.5.
 - the precautions to be taken to prevent the formation and localisation of oxygen in the water in the installation.
 - antifreeze products: ensure that these are compatible with aluminium and, if need be, with other components in the installation.

Notes:

- The sensor cables must be separated from the 230 V circuits by at least 10 cm.
- In order to protect the pump antifreeze and cleaning functions, we recommend not switching off the boiler at the mains switch.

surfaces in such a way as to obtain low return temperatures, below the dew point (e.g. underfloor heating, low temperature radiators, etc.) during the entire heating period.

Maximum/minimum water flow

The maximum difference in temperature between flow water and return water, and the speed at which the flow temperature increases, are restricted by the boiler's microprocessor ($\Delta T = 25^\circ\text{C}$); consequently, the boiler does not need a minimum flowrate provided that it operates at a maximum temperature of 75°C . If the maximum temperature exceeds 75°C , it is necessary to respect the following minimum flowrates:

Minimum water flowrate:

For the C 330-280 ECO	$Q_{\text{mini}} = 3.4 \text{ m}^3/\text{h}$
For the C 330-350 ECO	$Q_{\text{mini}} = 4.2 \text{ m}^3/\text{h}$
For the C 330-430 ECO	$Q_{\text{mini}} = 5.1 \text{ m}^3/\text{h}$
For the C 330-500 ECO	$Q_{\text{mini}} = 5.9 \text{ m}^3/\text{h}$
For the C 330-570 ECO	$Q_{\text{mini}} = 6.8 \text{ m}^3/\text{h}$
For the C 330-650 ECO	$Q_{\text{mini}} = 7.8 \text{ m}^3/\text{h}$

For the C 630 ECO, the minimum flowrate on each boiler will be equivalent to the minimum flowrate of a C 330 ECO

For the C 630-560 ECO	$Q_{\text{mini}} = 6.8 \text{ m}^3/\text{h}$
For the C 630-700 ECO	$Q_{\text{mini}} = 8.4 \text{ m}^3/\text{h}$
For the C 630-860 ECO	$Q_{\text{mini}} = 10.2 \text{ m}^3/\text{h}$
For the C 630-1000 ECO	$Q_{\text{mini}} = 11.8 \text{ m}^3/\text{h}$
For the C 630-1140 ECO	$Q_{\text{mini}} = 13.6 \text{ m}^3/\text{h}$
For the C 630-1300 ECO	$Q_{\text{mini}} = 15.6 \text{ m}^3/\text{h}$

Maximum water flowrate:

Flow speeds in the heating body which are too high reduce the transfer of heat. Therefore, it is necessary to restrict the water flow to the value obtained using the following formula:

$$Q_{\text{max}} (\text{m}^3/\text{h}) = \text{Nominal useful output} / 9.3$$

Condensates discharge

It must be connected to the waste water discharge system. The connection must be removable and the flow of condensates visible. The connections and pipes must be in corrosion-resistant material.

Condensates neutralisation stations are available as optional equipment. (see page 12).

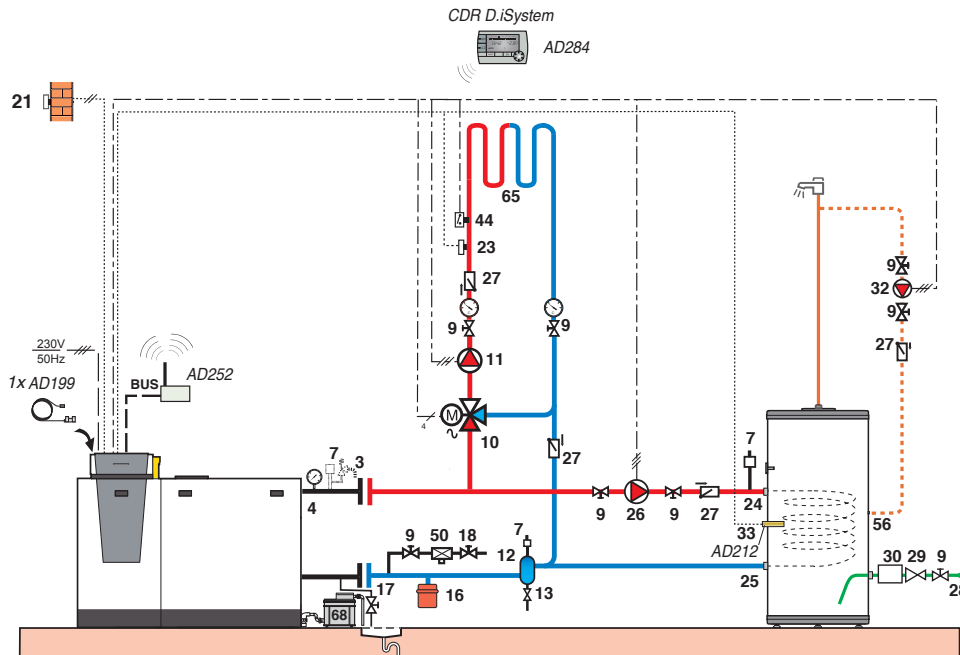
INSTALLATION DIAGRAMS

The examples presented below cannot cover the full range of installation scenarios which may be encountered. Their purpose is to draw the attention to the basic rules to be followed. A certain number of control and safety devices are represented but, in the last resort, it is up to the experts, consultant engineers and design departments to make the final decision on the control and safety devices to be used in the boiler room, depending on its specificities.

In all events, it is necessary to abide by the codes of practice and the local and national regulations in force.

NB: For the connection of domestic hot water, a sleeve made of steel, cast iron or any other insulating material must be interposed between the hot water outlet and this pipework to prevent any corrosion to the spot welds, if the distribution pipework is made of copper.

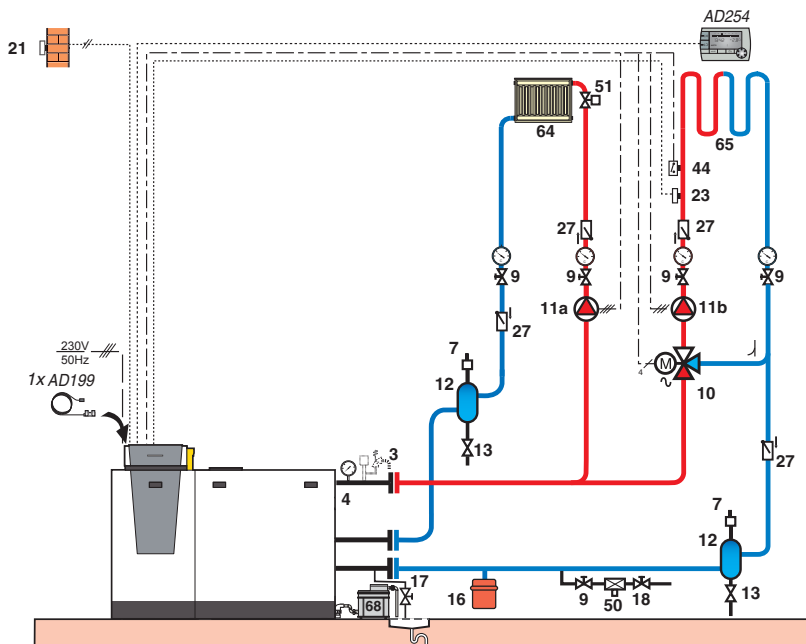
Installation of a C 330 ECO DIEMATIC iSystem with 1 underfloor heating circuit + 1 domestic hot water circuit



C 330 ECO DIEMATIC iSystem.

C330ECO_i0010B

Installation of a C 330 ECO DIEMATIC iSystem with 1 "radiator" circuit + 1 circuit with mixing valve



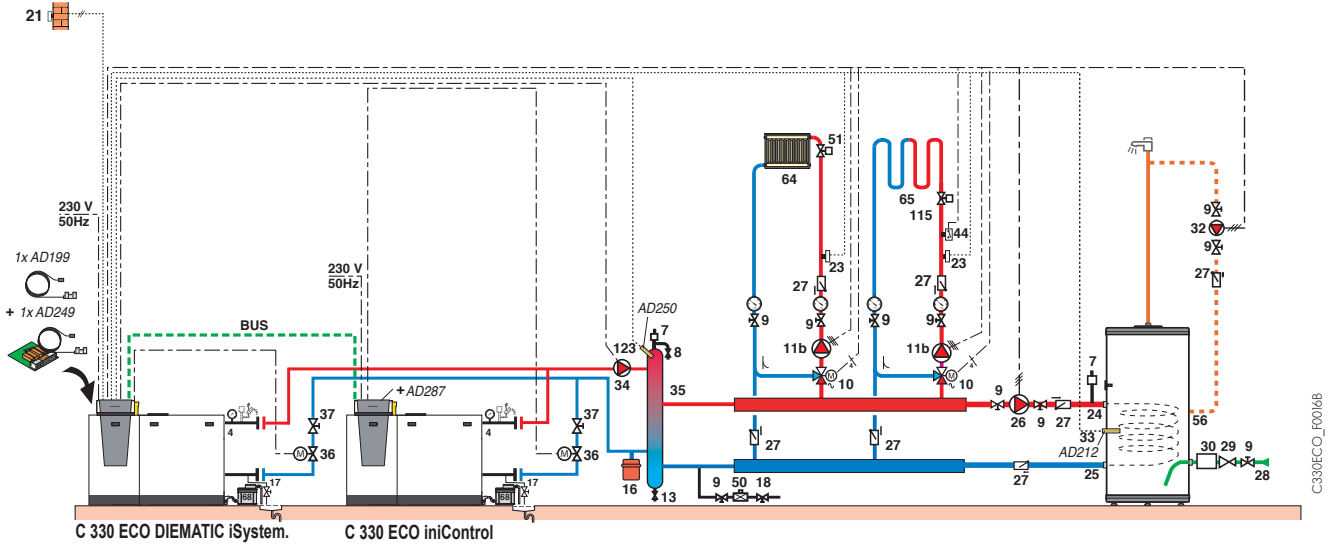
C 330 ECO DIEMATIC iSystem.

C330ECO_i0011A

Legend: see p. 18

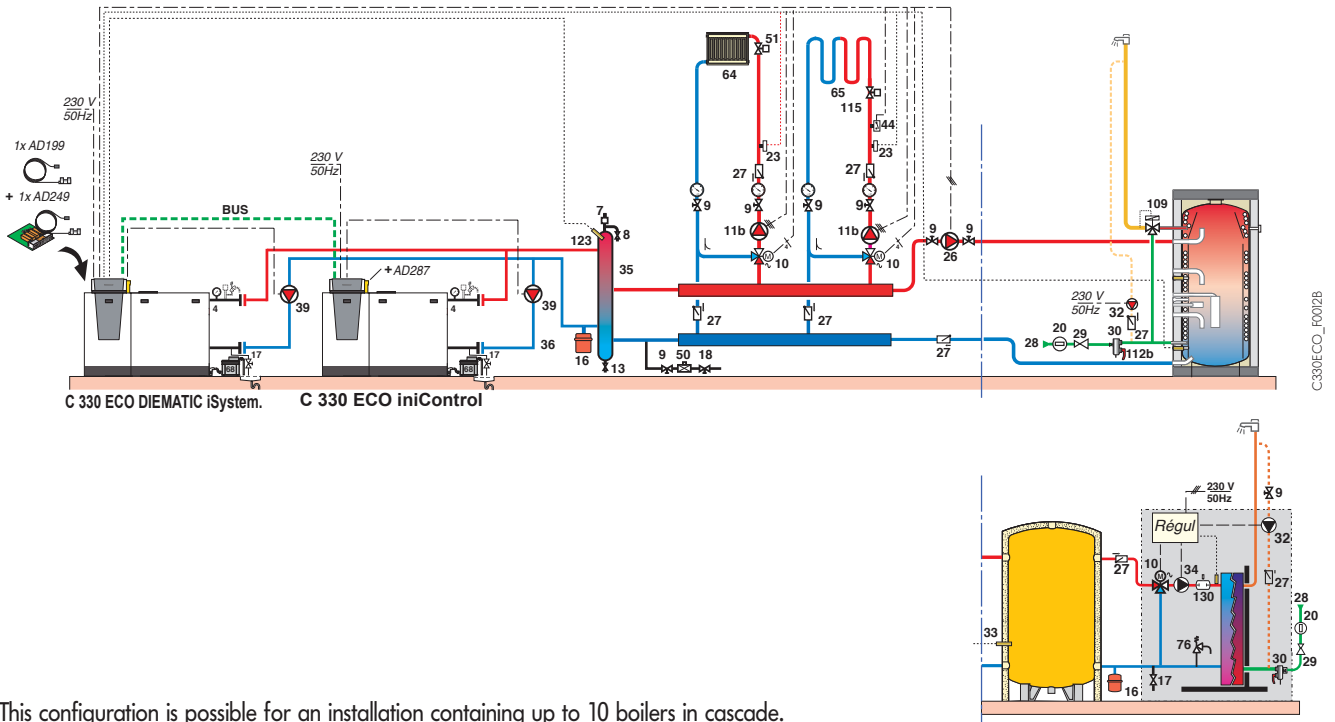
INSTALLATION DIAGRAMS

Installation of 2 x C 330 ECO (DIEMATIC iSystem + IniControl) in cascade, with primary pump and decoupling tank, with 2 circuits with mixing valve + 1 domestic hot water circuit



This diagram is only valid for 2 boilers

Installation of 2 x C 330 ECO (DIEMATIC iSystem + IniControl) in cascade (type 1 primary circuit with injection pumps), with 2 circuits with mixing valve + 1 instant domestic hot water circuit with primary storage

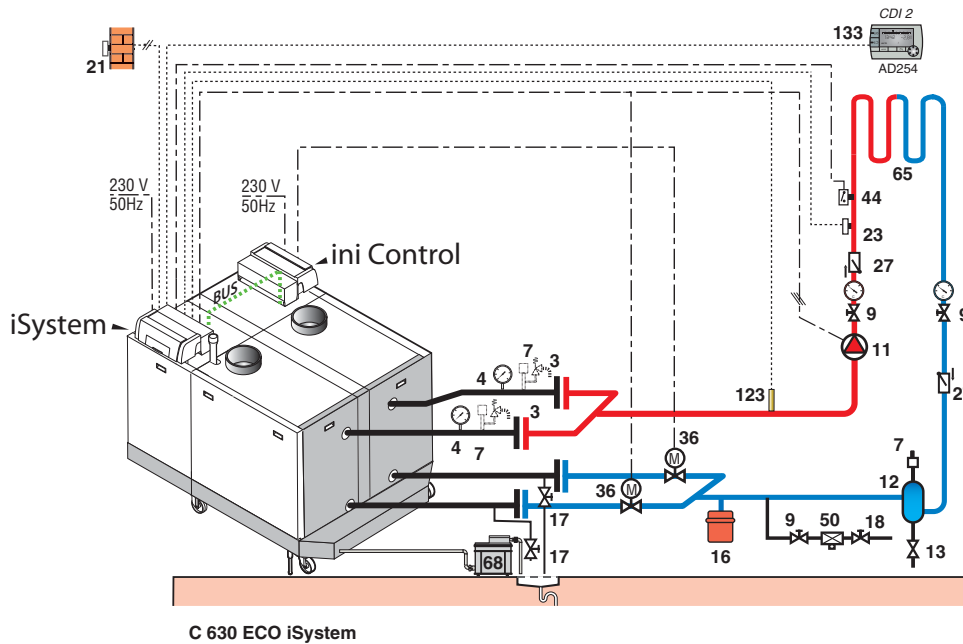


This configuration is possible for an installation containing up to 10 boilers in cascade.

Legend: see p. 18

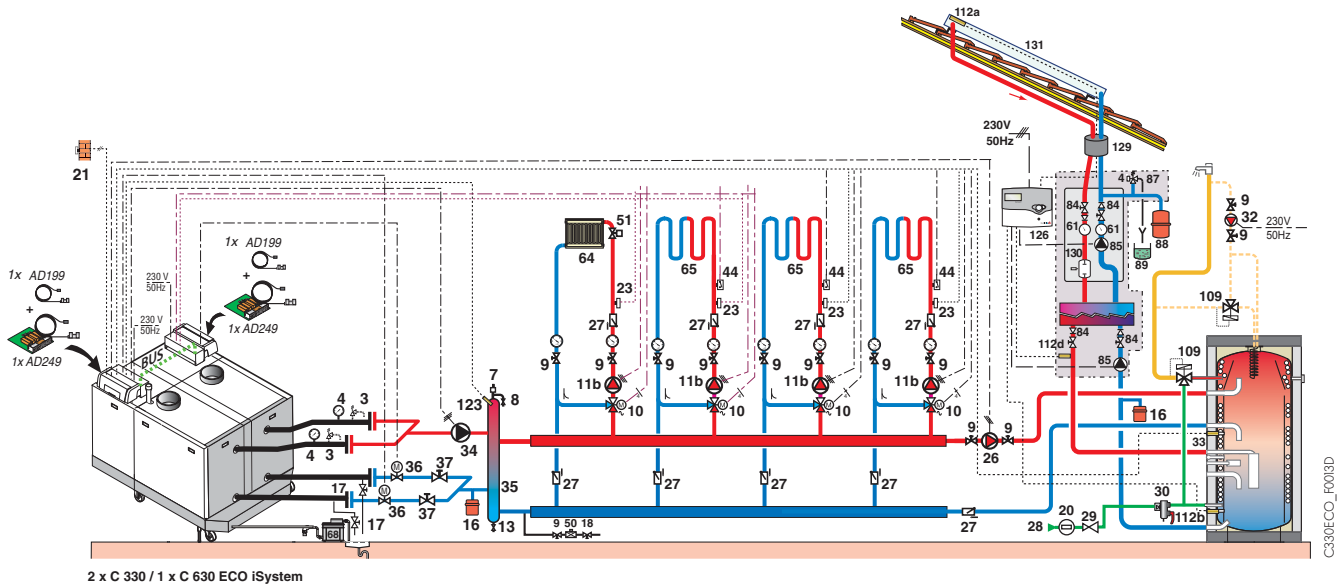
INSTALLATION DIAGRAMS

Installation of a C 630 ECO DIEMATIC iSystem + iniControl with a direct underfloor heating circuit



C330ECO_F0014B

Installation of a 2 x C 330/1 x C 630 ECO DIEMATIC iSystem with primary pump and decoupling tank, with 4 circuits with mixing valve + 1 solar domestic hot water circuit



C330ECO_F0013D

Key

- | | | |
|---|---|---|
| 1 Heating flow | 24 Primary inlet on the DHW tank exchanger | 51 Thermostatic valve |
| 2 Heating return | 25 Primary outlet on the DHW tank exchanger | 56 DHW circulation loop return |
| 3 Safety valve 3 bar (not delivered) | 26 DHW load pump | 61 Thermometer |
| 4 Pressure gauge (delivered) | 27 Non-return valve | 65 Low temperature circuit (radiator or underfloor heating) |
| 7 Automatic air vent (not delivered) | 28 Domestic cold water inlet | 68 Condensate neutralisation system (optional). |
| 8 Manual air vent | 29 Pressure reducer | 76 Diaphragm safety valve sealed and calibrated at 6 bar |
| 9 Valve | 30 Sealed safety unit calibrated to 7 bar | 115 Thermostatic distribution valve per zone |
| 10 3-way mixing valve | 32 DHW loop pump (optional) | 123 Cascade outlet sensor (to be connected to secondary boiler) |
| 11 Heating pump | 33 DHW temperature sensor | 130 Degasser with manual vent (Airstop) |
| 13 Flush valve | 34 Primary pump | 133 Interactive remote control CDI 2, or simplified |
| 16 Expansion vessel | 35 Decoupling tank | |
| 17 Drainage valve | 36 Motorised gate valve | |
| 18 Heat circuit filling | 39 Injection pump | |
| 21 Outside temperature sensor | 44 Thermostat limiting the temperature to 65°C with manual reset for underfloor heating | |
| 22 Boiler control system sensor | 50 Disconnector | |
| 23 Flow temp. sensor downstream of mixing valve | | |

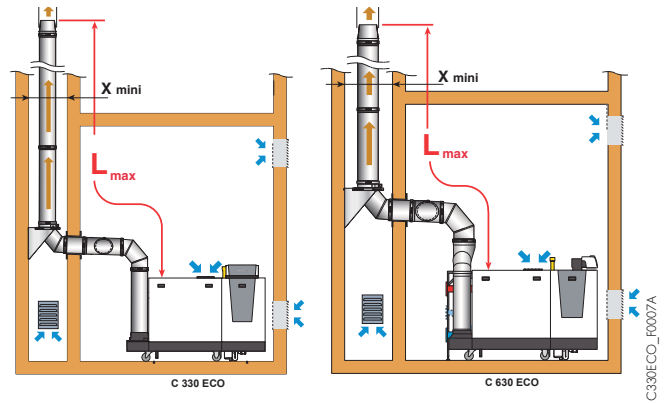
FLUE SYSTEMS

FLUE SYSTEMS

⇒ In configuration B_{23p}: connection to a chimney

Boiler type C 330-... ECO	Maximum air/flue gas pipe length (L)(l)			
	Ø 150 mm	Ø 180 mm	Ø 200 mm	Ø 250 mm
280	22 m	50 m	50 m	50 m
350	14 m	37 m	50 m	50 m
430	9 m	25 m	44 m	50 m
500	7 m	18 m	32 m	50 m
570	5 m	13 m	24 m	50 m
650	5 m	13 m	24 m	50 m

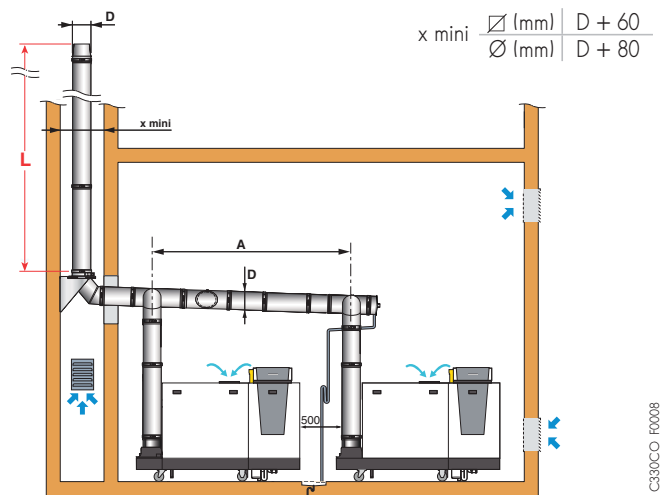
x mini $\begin{matrix} \square & \text{(mm)} & D + 60 \\ \circ & \text{(mm)} & D + 80 \end{matrix}$



Boiler type C 630-... ECO	Maximum air/flue gas pipe length (L)(l)		
	Ø 250 mm	Ø 300 mm	Ø 350 mm
560	40 m	50 m	50 m
700	42 m	50 m	50 m
860	24 m	50 m	50 m
1000	14 m	48 m	50 m
1140	7 m	31 m	50 m
1300	7 m	31 m	50 m

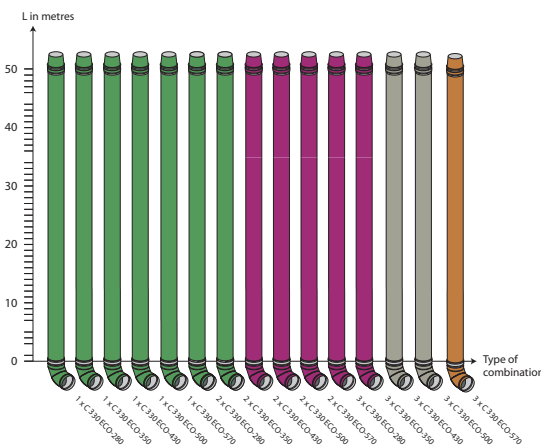
⇒ In configuration B_{23p}: connection to a chimney, installation in cascade

	A (mm)
C 330-280, C 330-350, C 630-560, C 630-700	2100
C 330-430, C 330-500, C 330-570 C 630-860, C 630-1000, C 630-1140	2490

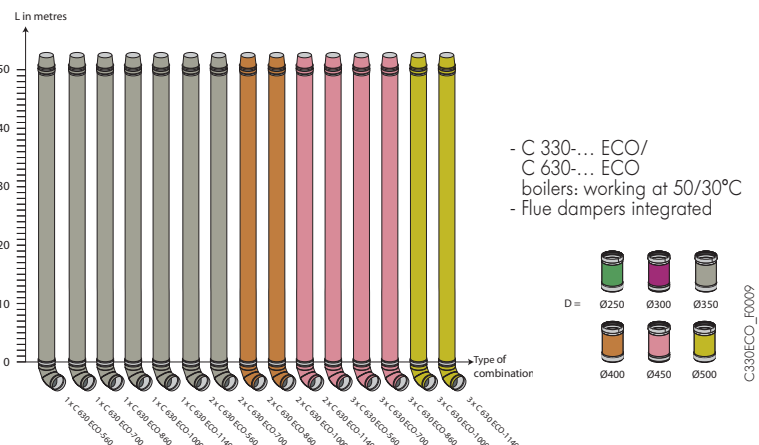


Maximum admissible length L (in m) depending on the Ø of the pipe D (in mm) for various "cascade" combinations (These lengths have been defined in accordance with the dimensional constraints given in the schematics above. For different dimensional constraints, consult us).

C 330-... ECO



C 630-... ECO



Note: These lengths are given as a rough guide. De Dietrich's liability may in no event be invoked. For different combinations, consult us.

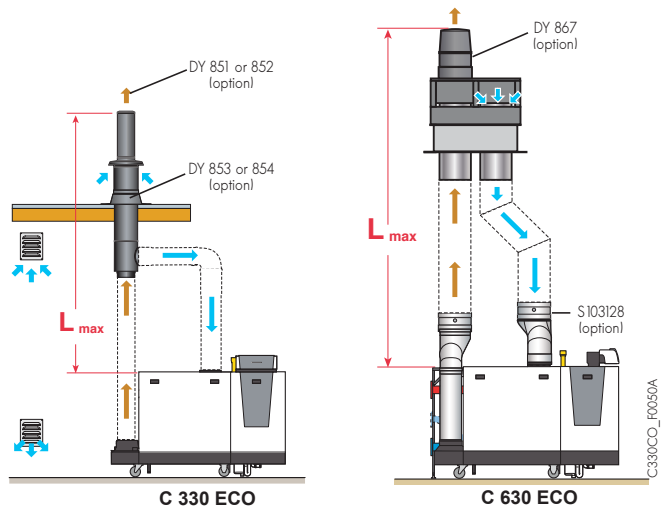
FLUE SYSTEMS

⇒ In configuration C₃₃

Boiler type C 330-... ECO	Maximum air/flue gas pipe length (L)(l)		
	Ø 150 mm	Ø 200 mm	Ø 250 mm
280	6 m	48 m	50 m
350	2 m	28 m	50 m
430	-	16 m	50 m
500	-	10 m	50 m
570	-	5 m	50 m
650	-	5 m	50 m

Boiler type C 630-... ECO	Maximum air/flue gas pipe length (L)(l)		
	Ø 250 mm	Ø 300 mm	Ø 350 mm
560	50 m	50 m	50 m
700	50 m	50 m	50 m
860	32 m	50 m	50 m
1000	17 m	46 m	50 m
1140	8 m	24 m	50 m
1300	8 m	24 m	50 m

Note: These maximum lengths are also applicable in configuration C₉₃.



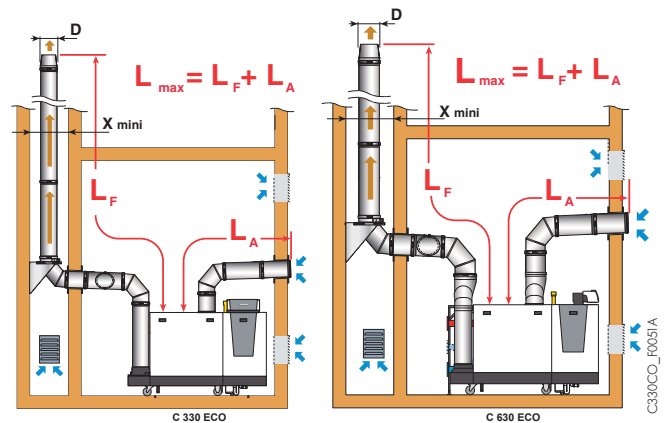
⇒ In configuration C₅₃

Boiler type C 330-... ECO	Maximum air/flue gas pipe length (L)(l)	
	Ø 250 mm	
280	50 m	
350	50 m	
430	50 m	
500	50 m	
570	40 m	
650	40 m	

Boiler type C 630-... ECO	Maximum air/flue gas pipe length (L)(l)	
	Ø 350 mm	
560	50 m	
700	50 m	
860	24 m	
1000	-	
1140	-	
1300	-	

(l) Calculated for rigid pipes with uncovered outlets

$$x \text{ mini } \begin{array}{l} \square (\text{mm}) \quad D + 60 \\ \circ (\text{mm}) \quad D + 80 \end{array}$$



DESCRIPTION

C 330-... ECO

FLOOR STANDING GAS CONDENSING BOILERS

Brand: De Dietrich

Model: C 330-_____ ECO for heating only

EC identification N°: 0063CL3613

Useful output in heating mode at 50/30°C: _____ kW

Gas category: Natural gas

Max. working pressure: 7 bar

Water content: _____

Max. operating temperature: 90°C

Safety thermostat: 110°C

Gas pressure: 20/25 mbar

Gas flow: _____ m³/h

Flue gas pressure available at the nozzle: _____ Pa

Floor area: 716 (L) x _____ (l) mm

Gas inlet: 2"

Flue gas nozzle: Ø 250 mm

Combustive air inlet: Ø 250 mm

Heating/return flow nozzle: DN 80

Second return nozzle: DN 65

Condensates run-off: tube Ø 32 mm

Shipping weight: _____ kg

DESCRIPTON

- Complies with the requirements of European Directives
- Homologation: B_{23p} - B_{23p} - C₃₃ - C₅₃ - C₆₃ - C₈₃ - C_{93x}
- Operating efficiency 109% PCI, efficiency class **** CE
- Exchanger in cast aluminium/silicium sections, with optimized exchanging surfaces, requiring no minimum temperature on the return and no minimum water flow (except when operating > 75°C)
- Cylindrical total remix gas burner in stainless steel with metallic fibres coating with emission of NO_x < 60mg/kWh (classification 5 according to EN 297 PrA2)
- Adaptation of boiler output to the needs of the installation, modulating from 20 to 100% in output
- Ignition and flame monitoring with ionisation sensor
- Integrated condensate receiver with 2 inspection hatches and a siphon
- Easy boiler positioning thanks to pivoting castors + rail guidance system
- Boiler can be delivered with 2 control panels:
 - **DIEMATIC iSystem** (on boiler alone): according to the outside temperature is able to control and regulate a direct circuit, 1 DHW circuit and (with options) up to 2 circuits with mixing valves (on master boiler): control a cascade up to 10 boilers equipped with iniControl control panels.
 - **iniControl**: for a boiler controlled through an extern 0 -10V signal, or for slave boilers in as cascade. The boilers are interconnected by a BUS connection cable and OpenTherm/Modbus interfaces.
- Cascade up to 10 boilers

Boiler options

- 2nd return
- Tightness checker for gas train
- Minimum gas pressure switch
- Low water pressure switch
- Flue gas sensor
- Flue connection kit for 2 x C 330 ECO
- Air input collector for 2 x C 330 ECO
- 300 mbar pressure regulator
- Clearing knife
- Integral condensate neutralisation station (to be integrated under the casing)
- Recharge of granules for integral station
- Air intake filter
- 4 to 8 hole adapter flange for a pump

DIEMATIC iSystem control panel options

- PCB SCU-S05 for connecting external safety devices
- PCB SCU-X03 for control of a modulating heating pump
- DIEMATIC VM iSystem wall-hung control unit
- PCB + sensor for 1 mixing valve
- Outlet sensor downstream of the valve
- DHW sensor
- Sensor for storage tank
- Room sensor
- Radio outside temperature sensor
- Boiler radio module
- CDI D. iSystem interactive remote control
- CDR D. iSystem interactive "radio" remote control
- Simplified remote control with room sensor
- BUS connection cable

iniControl panel options

- PCB interface IF-01
- PCB SCU-S05 for connecting external safety devices
- PCB SCU-X03 for control of a modulating heating pump
- OpenTherm Interface
- Outside sensor
- Programmable room thermostat (wireless)
- Programmable room thermostat (wire).

DESCRIPTION

C 630-... ECO

FLOOR STANDING GAS CONDENSING BOILERS

Brand: De Dietrich
Model: C 630-_____ ECO for heating only
EC identification N°: 0063CL3613
Useful output in heating mode at 50/30°C: _____ kW
Gas category: Natural gas
Max. working pressure: 7 bar
Water content: _____
Max. operating temperature: 90°C
Safety thermostat: 110°C
Gas pressure: 20/25 mbar

Gas flow: _____ m³/h
Flue gas pressure available at the nozzle: _____ Pa
Floor area: 1460 (L) x _____ (l) mm
Gas inlet: 2 x 2"
Flue gas nozzle: Ø 350 mm
Combustive air inlet: 2 x Ø 250 mm
Heating/return flow nozzle: 2 x DN 80
Second return nozzle: 2 x DN 65
Condensates run-off: 2 x tube Ø 32 mm
Shipping weight: _____ kg

DESCRIPTON

- Complies with the requirements of European Directives
- Homologation: B_{23P} - B_{23P} - C₃₃ - C₅₃ - C₆₃ - C₈₃ - C_{93x}
- Operating efficiency 109% PCI, efficiency class **** CE
- Consists of 2 boilers (boiler + control panel) with common flue gas nozzle
- Exchanger in cast aluminium/silicium sections, with optimized exchanging surfaces, requiring no minimum temperature on the return and no minimum water flow (except when operating > 75°C)
- Cylindrical total remix gas burner in stainless steel with metallic fibres coating with emission of NO_x < 60mg/kWh (classification 5 according to EN 297 PrA2)
- Modulating from 15 to 100%
- Possibility to adapt the maximum boiler output to the needs of the installation, between 20 and 100 % from the nominal output of each boiler
- Ignition and flame monitoring with ionisation sensor
- Integrated condensate receiver with 2 inspection hatches and a siphon
- Easy boiler positioning thanks to pivoting castors + rail guidance system
- Cascade up to 5 boilers C 630-... ECO
- Boiler can be delivered in 3 version:

• DIEMATIC iSystem + iniControl control panels

According to the outside temperature this combination of control panels is able to control and regulate: a direct circuit, 1 DHW circuit and (with options) up to 2 circuits with mixing valves, the cascade of the 2 boilers of the unit (a BUS connecting cable and an OpenTherm/Modbus interface are delivered with the boiler), a cascade up to 5 boilers C 630- ECO equipped with iniControl or DIEMATIC iSystem control panels.

• 2 x DIEMATIC iSystem control panels

According to the outside temperature each control panel is able to control and regulate: a direct circuit, 1 DHW circuit and (with options) up to 2 circuits with mixing valves (for each control panel), a cascade up to 5 boilers C 630-... ECO. The control panels are interconnected by a BUS connection cable delivered with the boiler

• 2 x iniControl control panels

for a boiler controlled through an extern 0 -10V signal, or for slave boilers in as cascade. The slave boilers are interconnected by a BUS connection cable and OpenTherm/Modbus interfaces.

Boiler options

- 2nd return
- Tightness checker for gas train (x2)
- Minimum gas pressure switch (x2)
- Low water pressure switch
- Flue gas sensor
- Flue connection kit for 2 x C 330 ECO
- Air input collector for 2 x C 330 ECO
- 300 mbar pressure regulator
- Clearing knife
- Integral condensate neutralisation station (to be integrated under the casing, x2)
- Recharge of granules for integral station
- Air intake filter (x2)
- 4 to 8 hole adapter flange for a pump

DIEMATIC iSystem control panel options

- PCB SCU-S05 for connecting external safety devices
- PCB SCU-X03 for control of a modulating heating pump
- DIEMATIC VM iSystem wall-hung control unit
- PCB + sensor for 1 mixing valve
- Outlet sensor downstream of the valve
- DHW sensor
- Sensor for storage tank
- Room sensor
- Radio outside temperature sensor
- Boiler radio module
- CDI D. iSystem interactive remote control
- CDR D. iSystem interactive "radio" remote control
- Simplified remote control with room sensor
- BUS connection cable

iniControl panel options

- PCB interface IF-01
- PCB SCU-S05 for connecting external safety devices
- PCB SCU-X03 for control of a modulating heating pump
- OpenTherm Interface
- Outside sensor
- Programmable room thermostat (wireless)
- Programmable room thermostat (wire).

DE DIETRICH THERMIQUE
S.A.S. with corporate capital of 22 487 610 €
57, rue de la Gare - F - 67580 Mertzwiller
Tel. + 33 3 88 80 27 00 - Fax + 33 3 88 80 27 99
www.dedietrich-heating.com

