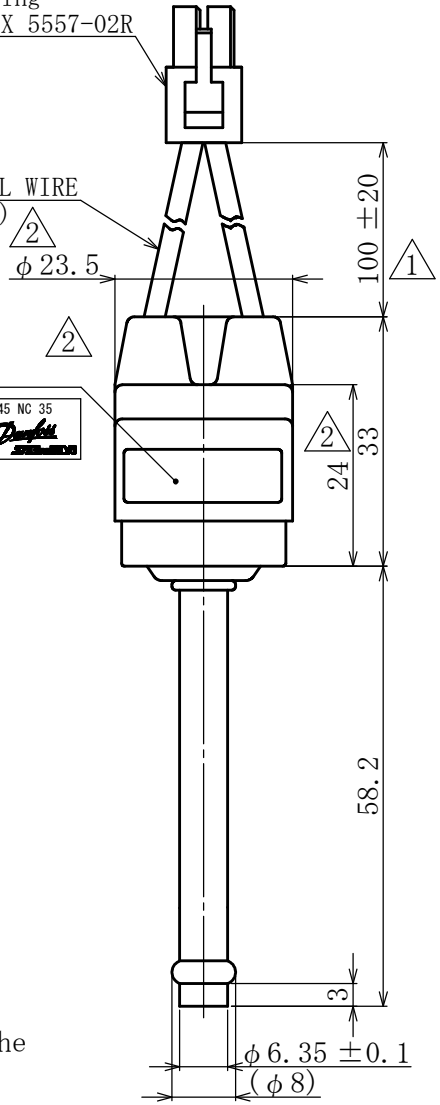
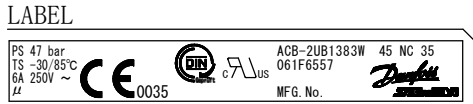


AT BRAZING OF PIPES, WRAP THE SWITCH BODY WITH WET CLOTH AND KEEP THE TEMPERATURE OF SWITCH BODY UNDER 100°C

Contact  
MOLEX 5556T  
Housing  
MOLEX 5557-02R

HEAT PROOF ELECTRIC VINYL WIRE  
UL1015, AWG18, 105°C (BLACK)



★CONFIRMATION OF DESIGN VALIDITY  
We manufacture the product based on the specifications described in this drawing. Please check the safety and validity in the product design in consideration that the product is conformed to the system or not when using.

OPERATING PRESS. CHARACTERISTICS.	OPERATING PRESS. SETTING UNIT: bar		DIFFERENTIAL	
	OFF	O N		
	45 ± 1.0	35 ± 2.0	—	
ELECTRICAL RATINGS	PED TYPE	RATED VOLTAGE (V)		A C
		RATED AMPS. (A)		250
UL TYPE	INDUCTIVE AMPS.	RATED VOLTAGE (V)		A C
		RATED AMPS. (A)	Cos φ	120   240
		FULL LOAD AMPS.		8
		LOCKED ROTOR		48
TYPE OF CONTACT		SINGLE POLE SINGLE THROW  PRESS. RISING		
CONTACT RESISTANCE		LESS THAN 200 m Ω		
INSULATION RESISTANCE		NOT LESS THAN 100 M Ω		
DIELECTRIC STRENGTH		WITHSTAND 1500V AC FOR ONE MINUTE		
MAX. PRESSURE		47 bar		
AIR TIGHT PRESS.		47 bar		
TEST PRESS.		50 bar		
MAX. ALLOW. TEMP.		AMBIENT TEMP. -30~85°C (-22~185°F) (PED) -30~100°C (-22~212°F) (UL) (But no freeze) FLUID TEMP. -54~135°C (-65 ~ 275 °F)		
DURABILITY		100,000 TIMES		
TÜV APPROVED		EN 12263 DIN 32733 (PSH/PSL 4B061) (4BPSH/PSL059)		
UL FILE NO.		E43867, E31024		
C-UL FILE NO.		E43867, E31024		
Checked by	Date	Name		
A. K.	OCT. 06 2015	TYPE CB PRESSURE SWITCH		
Designed by	Scale	Catalog Number	Drawing Number	
M. Y.	1:1	ACB-2UB1383W	N-CB-26019-2	
Drawn by	Code No. :061F 6557			
N. M.				
OCT. 20, 2015	△2	REV. Polyamide resin material and shape		
OCT. 19, 2015	△1	REV. WIRE LENGTH, PRESS. SETTING TOLERANCE		
DATE	SIGN	CHANGE CONTENT		

