**resideo**

Product information

For pressure reduction of air and neutral gases. Pressure reducing valve for compressed air with standard pattern and piston-balanced seat, type D22.

Dimension range (DN)	8 - 50
PN	25 - 40
Temperature (°C)	0 - 70
Main material	Brass



Area of use

For pressure reduction of air and neutral gases: AT 4235.

Pressure reduction valves of this type protect installations from excessive pressure from the supply. They can be used for industrial or commercial applications within their specification. If an overpressure occurs on the outside of the pressure reduction valve and the system in the subsequent stage needs to be protected, a safety valve should be installed.

Tender text

PSE.23 Pressure operated valves in gas systems

Reducing valve AT 4235..., made of brass, adjustable low pressure 1-10 bar.

For air.

Accessories:

Pressure gauge for AT 4235, 4235F: AT 4257-8-....., graduated 0-.....bar.

Quality assurance

Product marking: Brand, connection, and arrow indicating flow direction.

Energy and environment declaration

SundaHus: C-

Subject to notification under REACH

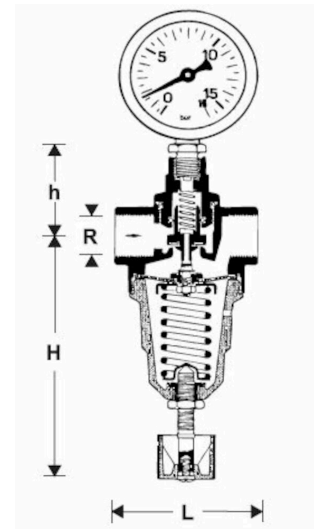
Reach date: 9/23/2024 11:58:00 AM

Item number	SCIP number
4235-10	28fb0f4b-79ed-4d81-ac9f-e248dea56ed1
4235-15	65f8853c-82d6-423d-a449-7ae6fed12392
4235-20	8a186b1b-49cf-49f2-a09d-534471038d75
4235-25	2af06ab1-1b4e-4a44-8bbc-d2d97534a6db
4235-32	45d5b02f-187f-4b41-8692-233b64fbd740
4235-40	09d56a90-c323-4aed-8185-7adeb13a260d
4235-50	adac0c81-0046-434f-96bf-cdb66cb49a04

Measurements and weight

Dimension range (DN): 8 - 50

DN	A	B	C	Net weight (kg)
10	50	34	90	0.357
15	65	36	105	0.559
20	80	42	105	0.724
25	95	42	105	1.475
32	105	57	160	1.813
40	115	72	210	3.12
50	130	72	210	3.862



Function and design

The valve has a built-in dirt filter with a mesh width of 0.16 mm (not applicable to AT 4235). The cone is relieved, which provides constant low pressure even with varying high pressure. The valve is tight at zero consumption and the low pressure is constant. The valve housing has two outlets for measuring low pressure (one outlet for AT 4235).

AT 4166, 4167 are equipped with a coupling nut for connection. A pressure gauge is only included upon separate order.

Technical data

Main material: Brass

Included materials: Brass, Plastic

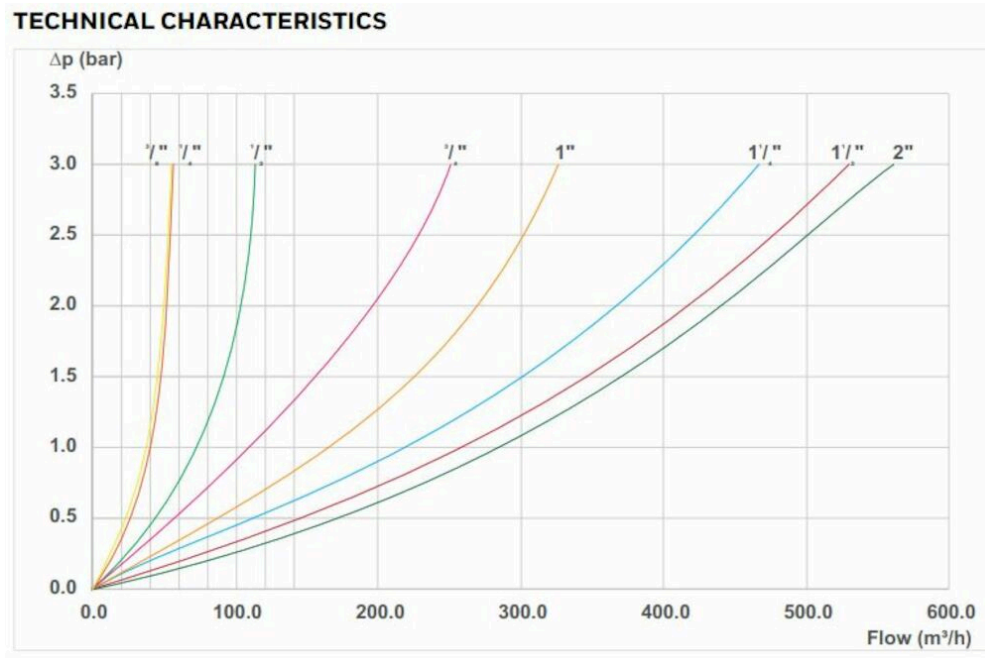
Included material code: PA (polyamide)

Temperature (°C): 0 - 70

PN: 25 - 40

Connection: Internal thread ISO 228-1 (G, BSPP), External thread ISO 228-1 (G, BSPP)

ETIM classification: EC010122 - Pressure reducing valve



Installation and maintenance

Flowdirection: Uni-directional

Possible mounting position: Horizontal

Can be installed in any built-in position. For AT4166 and 4167, the filter should be mounted downwards.

Refer to the user manual.

Please feel free to contact us

We answer your questions by e-mail and telephone. No question is too small, no challenge is too big. You are always welcome at Armatec.

info@armatec.se | +46 31 89 01 00 | www.armatec.se

THE COMPANY'S MANAGEMENT SYSTEM
IS CERTIFIED BY DNV
ISO 9001 • ISO 14001