

Product information

High-quality fully-sealed butterfly valve with a stainless steel disc and a solid vulcanized NBR rubber liner. Semi-LUG design. Suitable for vacuum and as an end valve with a hand lever, worm gear, or actuator. With a high neck for over-insulation.

Dimension range (DN)	50 - 2200
PN	10 - 16
Temperature (°C)	0 - 90
Main material	Cast iron



Area of use

For shut-off and regulation. Hot and cold water:

- Heating and cooling systems
- Vacuum
- Neutral gases

NBR rubber: Cold water, powder, hydrocarbon compounds with a maximum of 30% aromatics at +20 °C, air and neutral gases.

Tender text

PSB.2 Rotary butterfly valves

Butterfly valve AT 2310, with a gray iron body and a NBR/EPDM vulcanized liner fixed in the body, and a stainless/acid-resistant steel disc.

AT 2310S with lever standard up to DN150,

AT 2310V with gearbox standard from DN200.

Quality assurance

PED 2014/68/EU, AFS 2016:1

The product is CE marked

Product marking: Brand, DN, PN, material according to SS-EN 19.

Energy and environment declaration

Product Bvb: Accepted

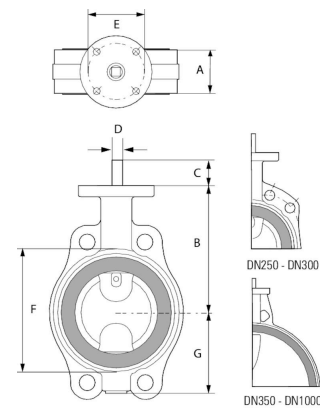
Product BVB ID: 43126

Pos	Component	Material
1	Valve body	Cast iron GJL-250 (GG25)
2	Disc	Stainless steel AISI 431 (1.4057)
3	Lining	NBR (nitrile butadiene rubber)

Measurements and weight

Dimension range (DN): 50 - 2200

DN	A	B	G	Net weight (kg)
50	43	152	63	3.987
65	46	160	71	4.943
80	46	167	78	5.204
100	52	189	98	6.554
125	56	202	109	8.5
150	56	224	133	11.04
200	60	248	158	15.1
250	68	245	194	32
300	78	270	219	41
350	78	315	236	38
400	102	363	308	71
450	114	388	334	86
500	127	413	360	101
600	154	510	426	169



Function and design

Fully tight, maintenance-free butterfly valve with centrally placed disc, split stem, one-piece body with fixed vulcanized rubber lining, eliminating risk of contact corrosion and protecting body internally against corrosion and also serving as flange packing. The manufacturing process ensures excellent seal and increased longevity because the abrasion of the liner is eliminated. Disc profile is crucial for achieving good flow characteristics which ultimately leads to energy losses are minimized. The valve is sealed regardless of flow direction.

Body with SEMI-LUG mounting wholes for one sided mounting.

AT 2310 is equipped with mounting holes up to DN 300. Porting pattern acc. to PN16 up to DN 200 and PN10 for DN250-300. Due to this design, the valve will keep its seal function even with one sided flange mounting, as an example end valve.

Disc and shaft are connected by one or more strong conical pins.

Butterfly valve AT 2310 DN 50–200 is delivered with long stem neck as standard for insulation.

Face to face dimension acc. to SS-EN 558.

Top flange acc. to ISO 5211.

Standard corrosion class C3 acc. to ISO 12944.

When the installation is done outdoors without rain cover, class C4 is recommended.

Technical data

Main material: Cast iron

Main material code: Cast iron GJL-250 (GG25)

Included materials: Cast iron, Stainless steel, Rubber

Included material code: Stainless steel AISI 431 (1.4057), Cast iron GJL-250 (GG25), NBR (nitrile butadiene rubber)

Temperature (°C): 0 - 90

PN: 10 - 16

Connection: Flanged EN1092

ETIM classification: EC010910 - Butterfly valve

BK04 code: 20706 Single-leaf dampers

Product colour: RAL 7038 - Agate grey

Installation and maintenance

Flowdirection: Bi-directional

Possible mounting position: Vertical, Horizontal

The valve is intended to be mounted between flanges, without gaskets, and where possible with the shafts in a horizontal position. Avoid mounting the valve with the shaft downwards. In the case of one-sided mounting, bolts and nuts should not be tightened with a higher torque than specified in the table in the relevant standard. The valve should be operated regularly to avoid the accumulation of dirt that can lead to leakage.

Please feel free to contact us

We answer your questions by e-mail and telephone. No question is too small, no challenge is too big. You are always welcome at Armatec.

info@armatec.se | +46 31 89 01 00 | www.armatec.se

THE COMPANY'S MANAGEMENT SYSTEM
IS CERTIFIED BY DNV
ISO 9001 • ISO 14001