

## Product information

Stainless steel ball valve with flanges and mounting flange for actuators. Suitable for automation. For mainly acids and salt solutions, gas, steam, hot and cold water.

Dimension range (DN)	15 - 300
PN	16 - 40
Temperature (°C)	-50 - 200
Main material	Stainless steel



## Area of use

Mainly, the shut-off valve is divided as follows:

## Tender text

### **PSB.1 Ball valves**

Two-part flanged ball valve in stainless acid-resistant steel AT 3582..., with full bore, flanged connection, and handle made of cast iron.

## Quality assurance

PED 2014/68/EU, PED 2014/68/EU art 4.3, AFS 2016:1, AFS 2016:1, 8 paragraf, TA-air

**The product is CE marked**

**Product marking:** Brand, DN, PN and material.

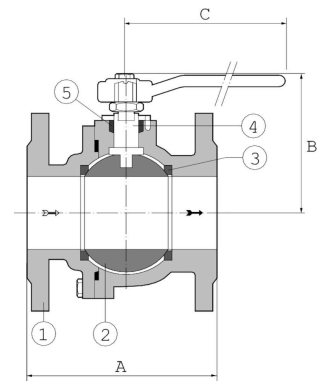
## Energy and environment declaration

**SundaHus:** C-

**Reach date:** 9/16/2024 9:06:00 AM

## List of details

Pos	Component	Material
1	Valve body	Acid resistant stainless steel AISI 316 (1.4408, CF8M)
2	Ball	Acid resistant stainless steel AISI 316 (1.4408, CF8M)
3	Seat rings	PTFE (polytetrafluoroethylene)
4	Stem	Acid resistant stainless steel AISI 316 (1.4408, CF8M)
5	Stem packing	PTFE (polytetrafluoroethylene)
6	Lever	



## Measurements and weight

**Dimension range (DN):** 15 - 300

Item number	A	B	C	Net weight (kg)
3582-15	115	95	160	2.938
3582-20	120	98	160	4.01
3582-25	125	112	160	4.582
3582-32	130	163	213	7.2
3582-40	140	176	213	8.932
3582-50	150	186	213	11.985
3582-65	170	203	300	17.5
3582-16-65	170	203	300	15.6
3582-80	180	216	300	23.8
3582-16-80	180	216	300	15.6
3582-100	190	215	465	34
3582-16-100	190	215	465	32

Item number	A	B	C	Net weight (kg)
3582V100	190			34
3582V16-100	190			160
3582-125	325	240	715	56.2
3582-150	350	279	774	80
3582V150	350			160
3582-200	400	307	845	167.1
3582V250				223
3582-300	500	389		323

## Function and design

Two-piece ball valve with full bore in firesafe design. Floating homogeneous ball with relief for tight shut-off and low pressure drop. Antistatic designed blow-out proof spindle according to BS 5351 prevents the spindle from being pushed out during pressure surges. Mounting flange according to ISO 5211 for actuator. Double graded from DN 200.

## Technical data

**Main material:** Stainless steel

**Main material code:** Acid resistant stainless steel AISI 316 (1.4408, CF8M)

**Included materials:** Cast iron, Stainless steel, Other

**Included material code:** Acid resistant stainless steel AISI 316 (1.4408, CF8M) , PTFE (polytetrafluoroethylene)

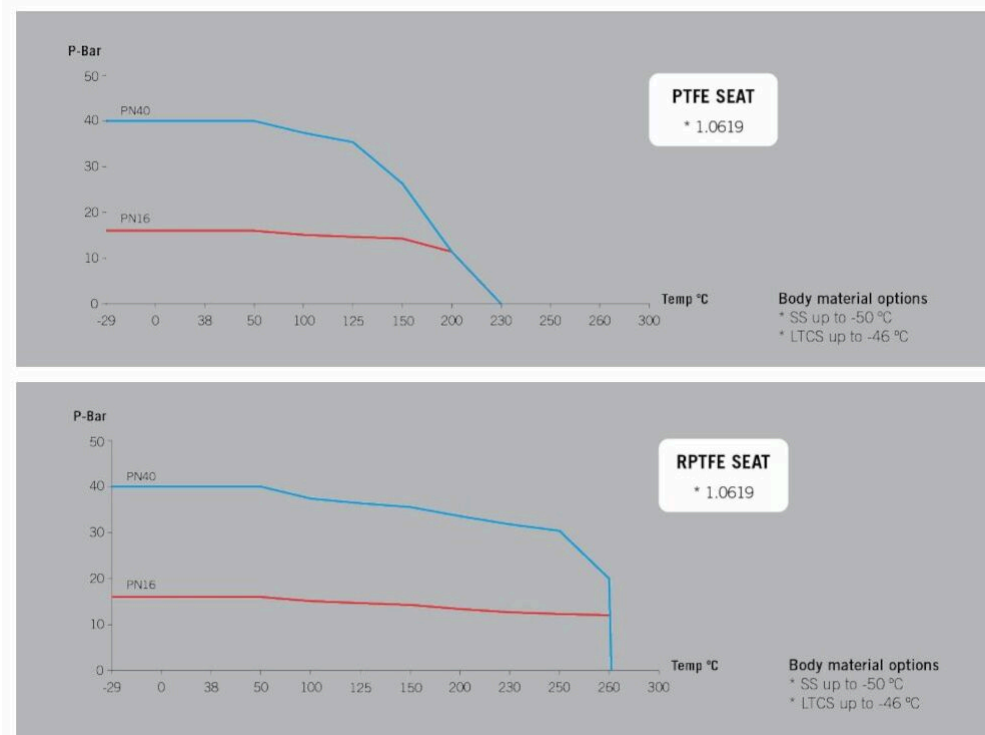
**Temperature (°C):** -50 - 200

**PN:** 16 - 40

**Connection:** Flanged EN1092

**ETIM classification:** EC011343 - Ball valve

**BK04 code:** 20702 Ball valves



## Installation and maintenance

**Flowdirection:** Bi-directional

**Possible mounting position:** Vertical, Horizontal

AT 3582 DN 15-100 Flanges according to PN40.

AT 3582 DN 125-300 Flanges according to PN16. The valve should be regularly operated to avoid the accumulation of dirt that can lead to leakage.

Please feel free to contact us

We answer your questions by e-mail and telephone. No question is too small, no challenge is too big. You are always welcome at Armatec.

[info@armatec.se](mailto:info@armatec.se) | +46 31 89 01 00 | [www.armatec.se](http://www.armatec.se)

THE COMPANY'S MANAGEMENT SYSTEM  
IS CERTIFIED BY DNV  
ISO 9001 • ISO 14001