



## Product information

High neck, full flow, internal thread, and steel handle. Viridi ball valve in dezincification-resistant lead-free brass (less than 0.1% lead). For hot and cold water, as well as heating, cooling, air, and gas systems. Can also be used for vacuum and lighter oils (e.g. diesel).

Dimension range (DN)	10 - 50
PN	25
Temperature (°C)	0 - 150
Main material	Brass



## Area of use

Viridi shut-off valve for hot and cold tap water, as well as heating, cooling, air, and gas systems. It can also be used for vacuum and lighter oils (such as diesel), see also section "Installation".

For flammable liquids max 16 bar.

Suitable for water 0°C to 150°C. PN25 (Max 25bar up to +110°C, max 16bar >110°C)

Suitable for air -10°C to 150°C. PN25 (Max 20bar up to +110°C, max 16bar >110°C)

Can be used down to -30°C in cooling systems with glycol-blended media.

## Tender text

### PSB.1 Ball valves

Green ball valve in dezincification-resistant lead-free brass (lead content below 0.1%) AT 3701, G ... With full flow, internal thread, cast high spindle neck and steel handle. Packing made of graphite and teflon-coated ball. The Viridi ball valve AT 3701 is approved for installation where requirements from the Building Assessment and Healthy House have been set.

## Quality assurance

AFS 2016:1, 8 paragraf, Accepted material, 4MSI Common Approach - Part B – 17th Revision, 10th January 2023

The Viridi valves may be used for liquids and gases in group 2 according to AFS 2016:1. The Viridi valves are covered by AFS 2016:1, 8§, the directive for pressure equipment (PED 4.3) and therefore shall not be CE marked.

**Product marking:** Brand, PN and DN.

## Energy and environment declaration

**Product Bvb:** Accepted

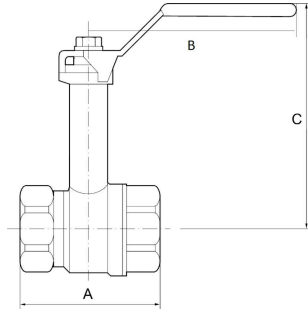
**Product BVB ID:** 115579

**SundaHus:** C-

**Reach date:** 2/23/2022 6:58:00 PM

## List of details

Pos	Component	Material
1	Valve body	Brass (CuZn38As) (CW511L, Pb<0,1%)
2	Ball	Stainless steel AISI 304 (1.4301)
3	Seat rings	PTFE (polytetrafluoroethylene)
4	Stuffing box	PTFE (polytetrafluoroethylene)
5	Lever	Steel



## Measurements and weight

**Dimension range (DN):** 10 - 50

DN	15	20	25	32	40	50
A	49	58	67	81	94	110
B	91.5	91.5	126.5	126.5	141.5	141.5
C	98	101	110	120	132	140
Net weight (kg)	0.3	0.395	0.63	0.9	1.37	1.945

## Function and design

The AT 3701 has a fully threaded and retractable graphite box. The AT 3701 has a so-called "blow-out safe" spindle. The AT 3701 has a high spindle neck, suitable for installation where the valve needs to be over-insulated. Ball valves DN40 and DN50 can be obtained with a slow-closing handle, such as 3700V40 and 3701V50.

## Technical data

**Main material:** Brass

**Main material code:** Brass (CuZn38As) (CW511L, Pb<0,1%)

**Included materials:** Brass, Steel, Stainless steel, Plastic, Other

**Included material code:** Brass (CuZn38As) (CW511L, Pb<0,1%), PVC (polyvinyl chloride), PTFE (polytetrafluoroethylene)

**Temperature (°C):** 0 - 150

**Temperature notes:** Suitable for water from 0°C to 150°C. PN25 (maximum 25 bar up to +110°C, maximum 16 bar above 110°C). Suitable for air from -10°C to 150°C. PN25 (maximum 20 bar up to +110°C, maximum 16 bar above 110°C).

**PN:** 25

**Connection:** Internal thread ISO 228-1 (G, BSPP)

**ETIM classification:** EC011343 - Ball valve

**BK04 code:** 20702 Ball valves

**MagiCAD link:** <https://redir.magicad.cloud/product/72e4f0c0-b9a8-4925-97f9-f243368ed81d>

**Comment to colour:** Natural colour, untreated.

Item number	KVS	Connection 1	Connection 1 - spec.	Connection 2	Connection 2 - spec.
3701-15	15.7	Internal thread ISO 228-1 (G, BSPP)	1/2	Internal thread ISO 228-1 (G, BSPP)	1/2
3701-20	30.8	Internal thread ISO 228-1 (G, BSPP)	3/4	Internal thread ISO 228-1 (G, BSPP)	3/4
3701-25	49.3	Internal thread ISO 228-1 (G, BSPP)	1	Internal thread ISO 228-1 (G, BSPP)	1
3701-32	79	Internal thread ISO 228-1 (G, BSPP)	1 1/4	Internal thread ISO 228-1 (G, BSPP)	1 1/4
3701-40	125.3	Internal thread ISO 228-1 (G, BSPP)	1 1/2	Internal thread ISO 228-1 (G, BSPP)	1 1/2
3701-50	224.2	Internal thread ISO 228-1 (G, BSPP)	2	Internal thread ISO 228-1 (G, BSPP)	2
3701V40	125.3	Internal thread ISO 228-1 (G, BSPP)	1 1/2	Internal thread ISO 228-1 (G, BSPP)	1 1/2
3701V50	224.2	Internal thread ISO 228-1 (G, BSPP)	2	Internal thread ISO 228-1 (G, BSPP)	2

## Installation and maintenance

**Flowdirection:** Bi-directional

**Possible mounting position:** Vertical, Horizontal

"All valves have internal pipe threads. Tightening of the packing may be necessary for air and gas systems when the test pressure exceeds 6 bar. The valve should be operated regularly to avoid the accumulation of dirt that can lead to leakage."

Please feel free to contact us

We answer your questions by e-mail and telephone. No question is too small, no challenge is too big. You are always welcome at Armatec.

[info@armatec.se](mailto:info@armatec.se) | +46 31 89 01 00 | [www.armatec.se](http://www.armatec.se)

THE COMPANY'S MANAGEMENT SYSTEM  
IS CERTIFIED BY DNV  
ISO 9001 • ISO 14001